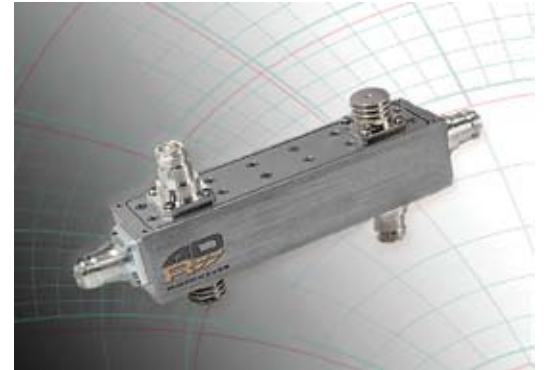


# Dual Directional Couplers

C2-A49, 40dB Dual Directional Coupler PIM optimized  
Single dual directional airline (slabline) coupler.

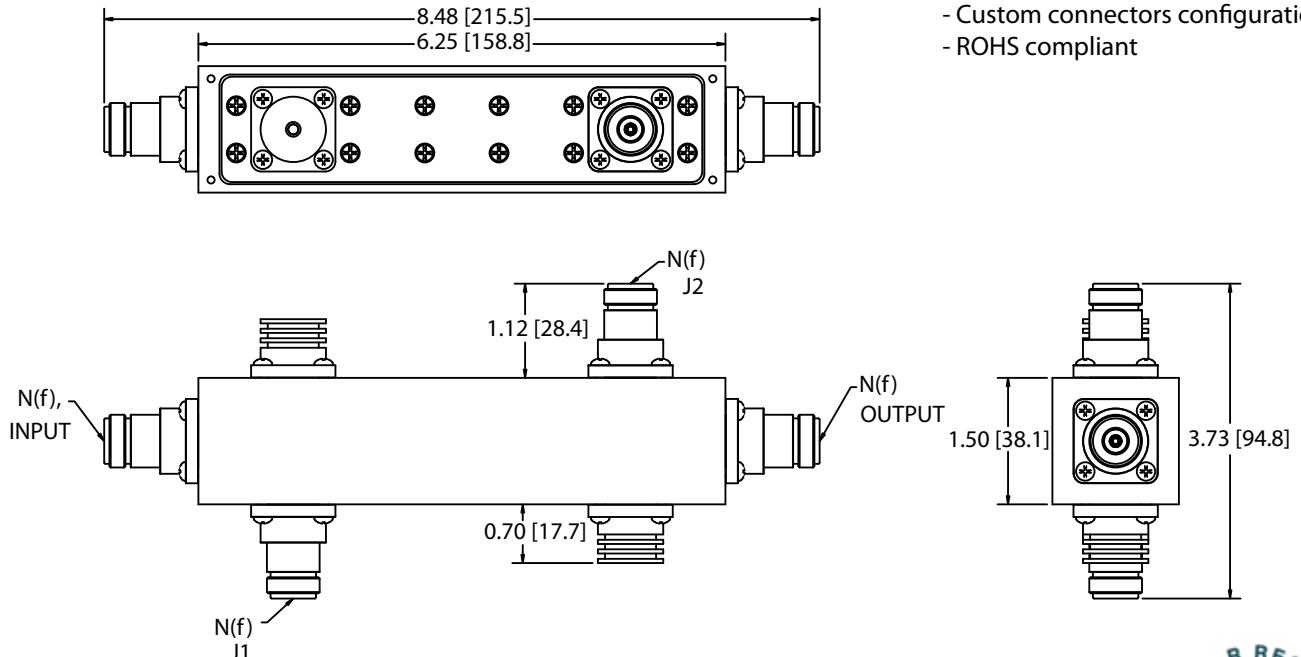
Model	C2-A49	
Frequency range	1.0 - 1.5 GHz	
Coupling Value, Input↔J1 or Output↔J2	40 ± 1 dB	
Directivity Input↔J1 or Output↔J2	TYP	MIN
	30	25
Insertion Loss, Input↔Output 500 MHz	TYP	MAX
	0.03 dB	0.07 dB
VSWR and (Return Loss) Input and Output Coupled Port, J1 and J2	TYP	MIN
	1.07 (30 dB)	1.12 (25 dB)
	1.15 (23 dB)	1.3 (17.7 dB)
Impedance	50 Ω	
Intermodulation IM3 (2 x 43 dBm carrier)	150 dBc	
Max. power	600 W Avg, 20% DC 2mSec pulse width	
Termination Max. power	3 W Avg	
Connectors	N female, flange with o-ring	
Material: Housing Inner Conductor & Connectors	Aluminum, Conversion Coating Brass, Silver Plated	
DC continuity Input↔Output Input or Output↔J1 or J2	RF and DC RF only	
Profile cross-section	38.1 x 38.1 mm (1.5"x1.5")	
Weight approx	1.2 kg (2.64 lb)	



R&D Microwaves LLC patent pending, two section, airline, Dual Directional Coupler covering wireless applications in the 1.0 -1.5 GHz band. Available with N(f) connectors, this design offers RF power ratings of 600 watts. Insertion loss is less than 0.1 dB, RL is better than 30 dB, coupling is 40 dB with directivity better than 25 dB across the entire band. These couplers are ideal for antenna power monitoring applications in base station installations.

**Made in USA.**

DIMENSIONS: in [mm]  
TOLERANCE: 0.03 [0.8]



- 600 W average power
- Low VSWR and Loss
- High reliability, Low PIM
- Custom connectors configuration
- ROHS compliant