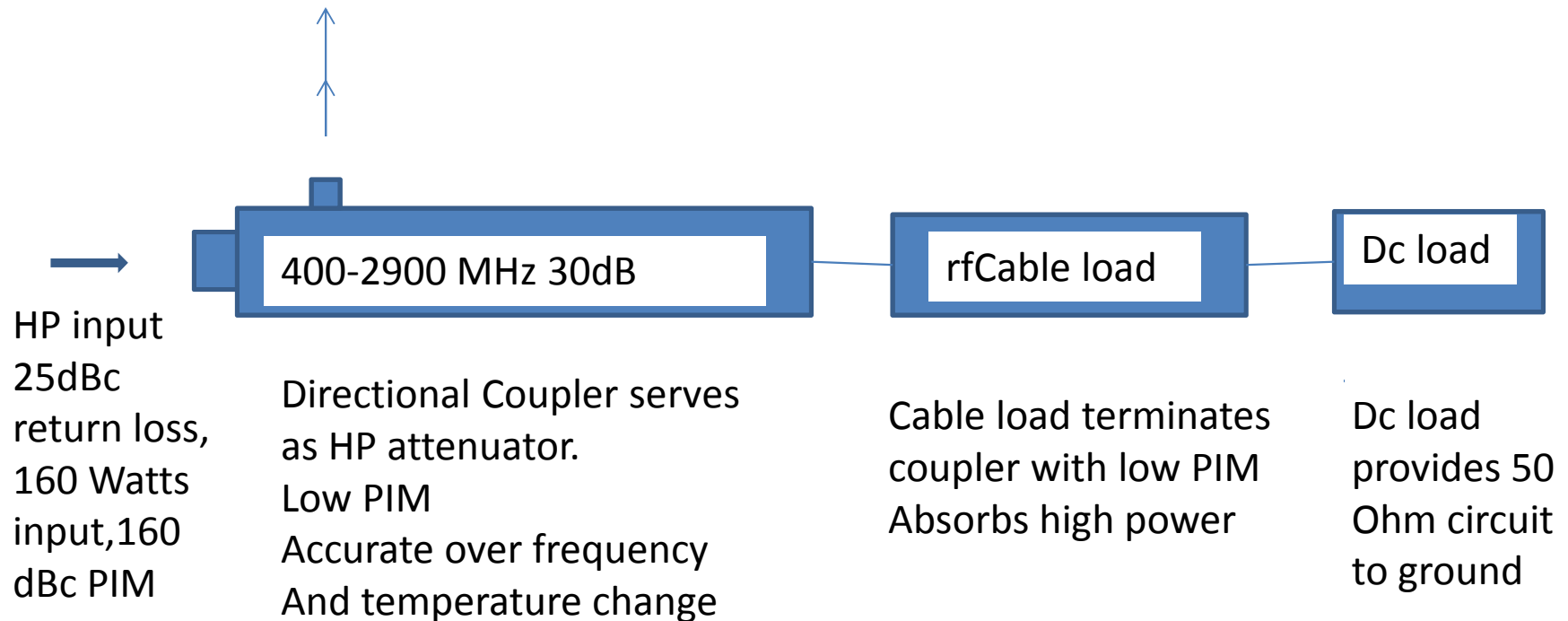
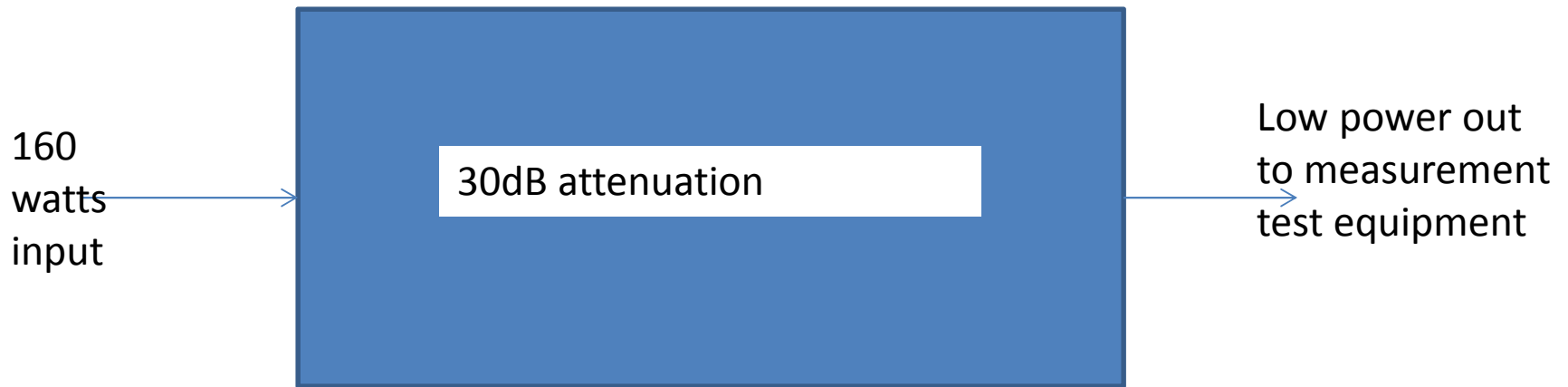


Low PIM Attenuator Assembly, (x3) Model AT-A07

High Power Attenuator to reduce power for input to test measurement equipment, with low PIM and precise power calibration under all conditions.
-30dB from input, 21dB output return loss, S22



“old” High Power Attenuators
Resistive type



Undesirable effects include:
Resistive Attenuators generate high levels of PIM
Attenuation levels change with high power/temperature