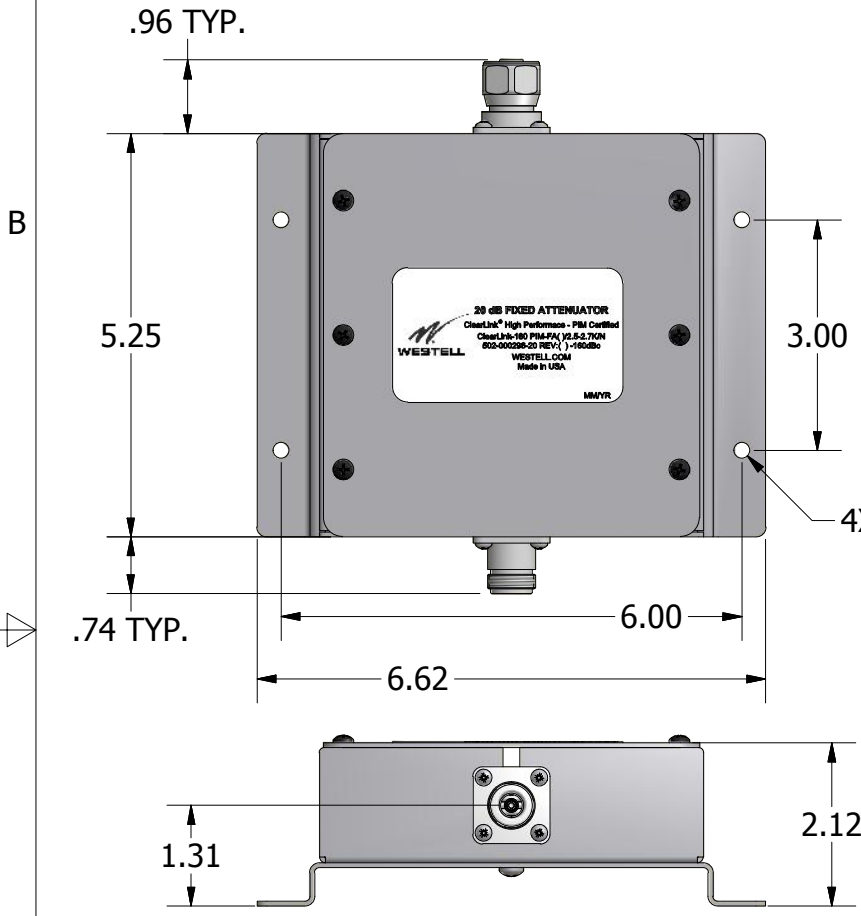


REVISION HISTORY				
ZONE	REV	DESCRIPTION	DATE	APPROVED
	3	UPDATED TOLERNACE ON ATTENUATION FROM .5 TO 1 dB	10/26/15	AK




**SPECIFICATION:**

FREQUENCY: 2496-2690 MHz  
 ATTENUATION: 20 ± 1.0 dB  
 VSWR: 1.22:1 MAX  
 POWER (CW): 20 W AVG MAX  
 PASSIVE INTERMODULATION: -160 dBc (2x20W@1900 MHz)  
 CONNECTORS: TYPE N  
 FINISH: BLACK POWDER COAT



HOLE TOLERANCE: X.XXX ±.003  
 LENGTH TOLERANCE: X.XXX ±.010  
 LENGTH TOLERANCE: X.XX ±.030  
 THREADS SPECIFICATION AFTER PLATING  
 PROPERTY OF R&D MICROWAVES LLC

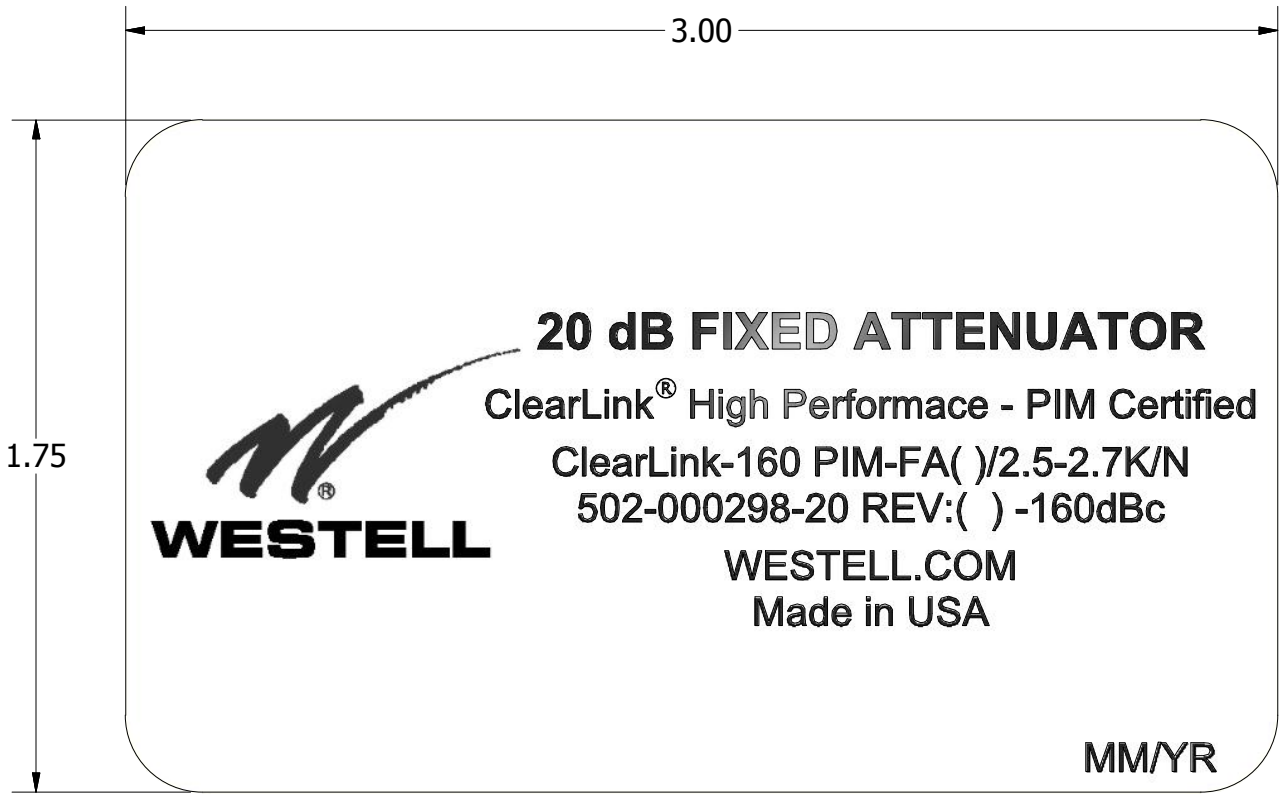
DRAWN AK	8/12/2015	 <b>R&amp;D Microwaves LLC, USA</b>		
CHECKED			TITLE	
QA		20 dB Type N Attenuator, 2496-2690 MHz, Westell PN: 502-000298-20		
MFG		SIZE	DWG NO	REV
APPROVED		A	AT-A36N-20rev3	3
		SCALE	SHEET 1 OF 2	


B

B

A

A



DRAWN AK	8/12/2015	 R&D Microwaves LLC, USA		
CHECKED			TITLE	
QA		20 dB Type N Attenuator, 2496-2690 MHz, Westell PN: 502-000298-20		
MFG		SIZE A	DWG NO AT-A36N-20rev3	REV 3
APPROVED		SCALE	SHEET 2 OF 2	