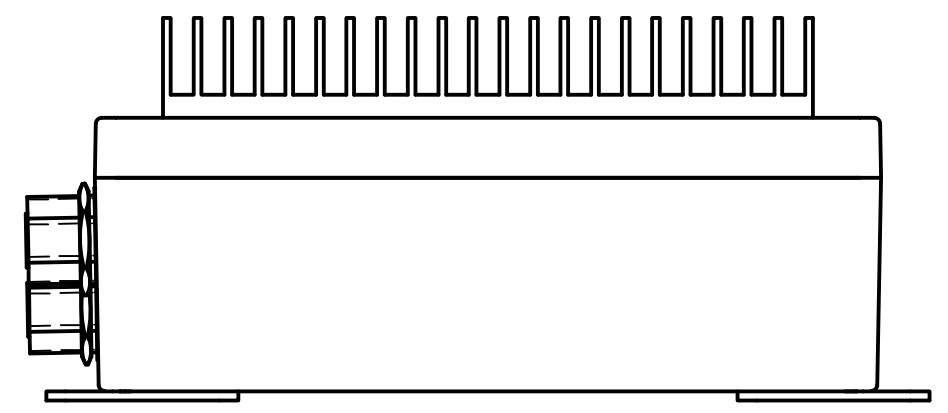
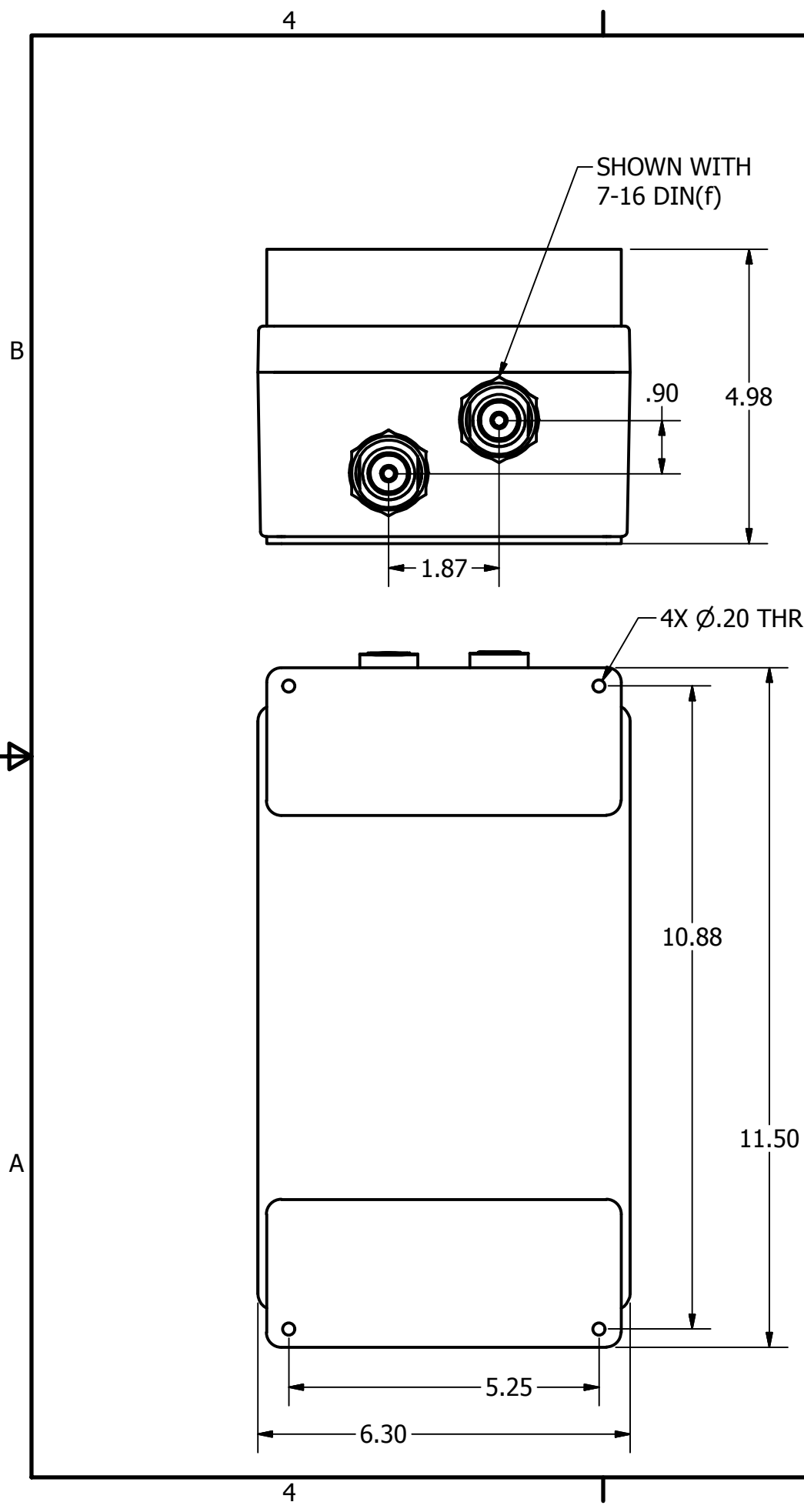


REVISION HISTORY				
ZONE	REV	DESCRIPTION	DATE	APPROVED
	0.1	fixed spelling, changed connector spacing	4-30-2017	AK
	1	ENGINEERING RELEASE	5/16/2017	AK



**SPECIFICATION:**


FREQUENCY: 600-2700 MHz  
 RETURN LOSS  
 INPUT: 20dB MIN  
 OUTPUT: 18dB MIN  
 PIM\*: 155 dBc  
 CONNECTORS: 4.1-9.5, 4.3-10.0, Type N, 7-16 DIN  
 POWER: 100W AVG, INPUT OR OUTPUT  
 ENVIRONMENT: IP67  
 FINISH: BLACK POWDER COAT

\*CONNECTORS MAY BE ON THE SAME SIDE OR IN LINE ON OPPOSITE SIDES

OPTIONAL POLE MOUNT CLAMP AND BRACKET ARE AVAILABLE

ATTENUATION	
MODEL	ATTENUATION
AT-A49-03	3 dB +/-1.0 dB
AT-A49-06	6 dB +/-1.0 dB
AT-A49-07	7 dB +/-1.0 dB
AT-A49-10	10 dB +1.2/-0.5 dB
AT-A49-13	13 dB +1.2/-0.7 dB
AT-A49-15	15 dB +1.2/-0.7 dB
AT-A49-16	16 dB +1.2/-0.5 dB
AT-A49-20	20 dB +1.2/-0.5 dB
AT-A49-30	30 dB 1.5/-0.5 dB

PROPERTY OF R&D MICROWAVES LLC

DRAWN kohamaa	2/22/2017	 R&D Microwaves LLC, USA
CHECKED		
QA		TITLE
MFG		AT-A49 100W ATTENUATION OUTLINE
APPROVED		SIZE B
		DWG NO AT-A49-XX-0Lrev1
		SCALE
		REV 1
		SHEET 1 OF 1