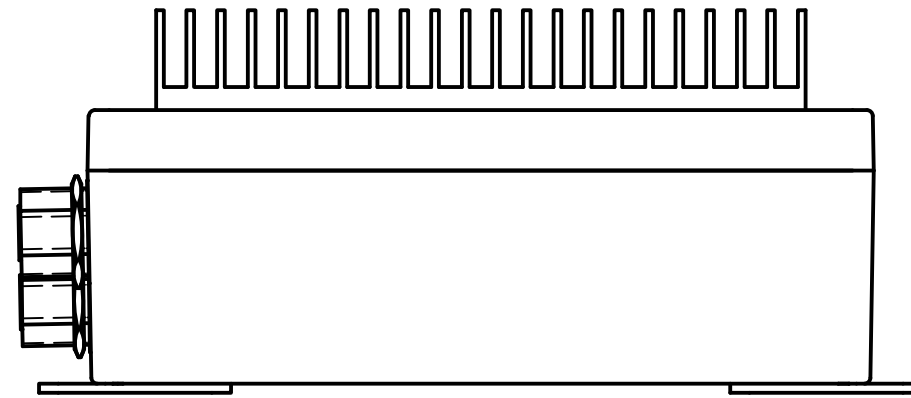
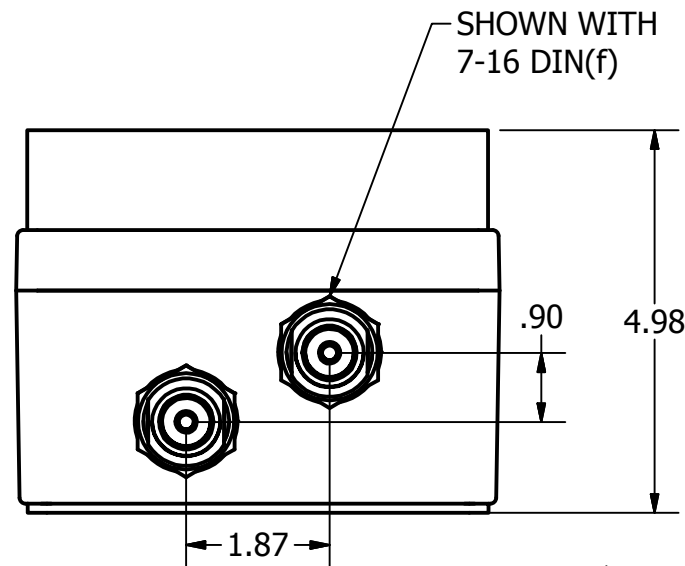


REVISION HISTORY				
ZONE	REV	DESCRIPTION	DATE	APPROVED
	2	UPDATED INPUT RETURN LOSS, CHANGED 10/20 dB COUPLING RANGE	5/25/2017	AK
	3	ADDED PAGE 2 VIEW OF AT-A49A-XX	9/6/2017	TOM B



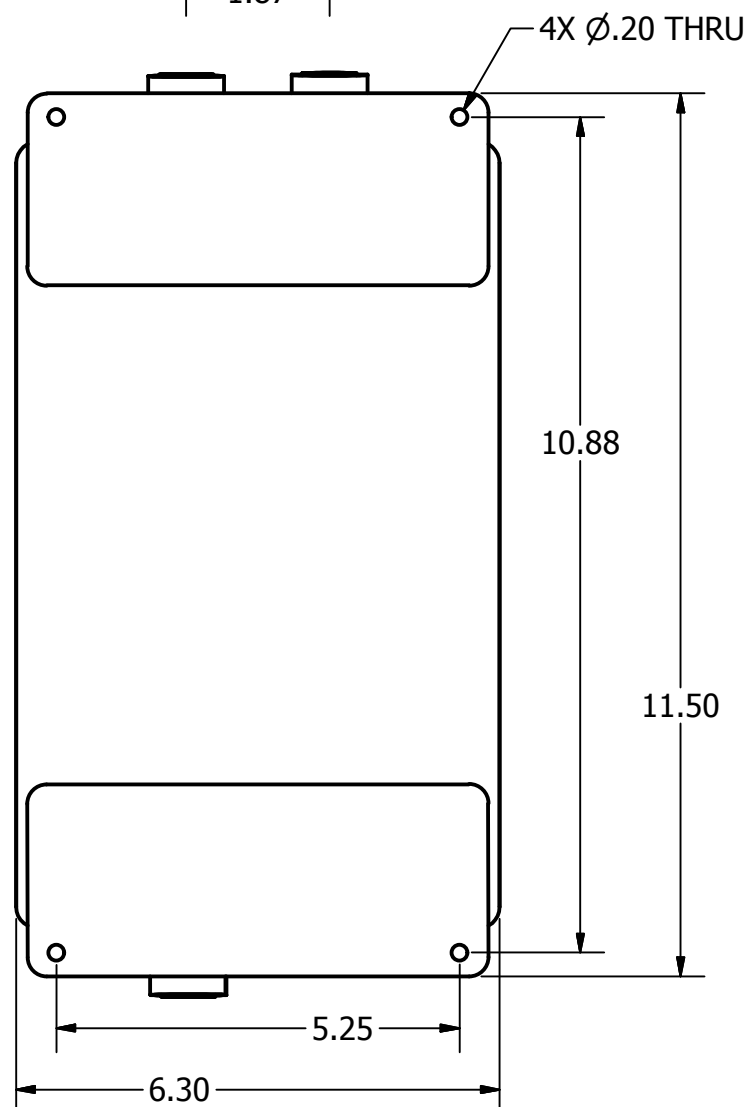
AT-A49-XX VIEW

SPECIFICATION:

FREQUENCY: 600-2700 MHz
 RETURN LOSS
 INPUT:
 600-2500: 20dB MIN
 2500-2700: 18dB MIN
 OUTPUT: 18dB MIN
 PIM*: 155 dBc
 CONNECTORS: 4.1-9.5, 4.3-10.0, Type N, 7-16 DIN
 POWER: 100W AVG, INPUT OR OUTPUT
 ENVIRONMENT: IP67
 FINISH: BLACK POWDER COAT


*CONNECTORS MAY BE ON THE SAME SIDE OR ON OPPOSITE SIDES.
 SEE PAGE 2 FOR CONNECTORS ON OPPOSITE SIDES

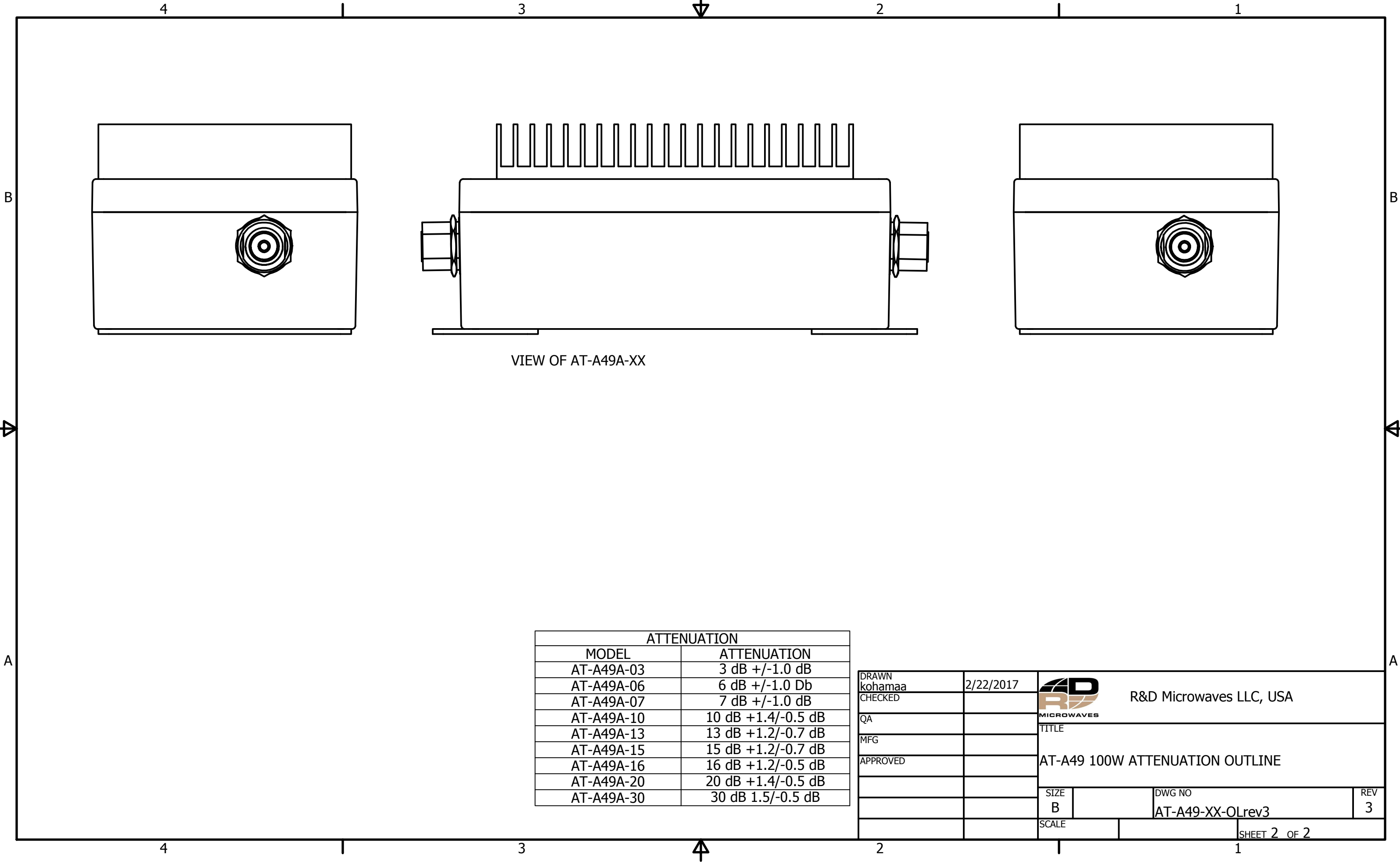
OPTIONAL POLE MOUNT CLAMP AND BRACKET ARE AVAILABLE



ATTENUATION	
MODEL	ATTENUATION
AT-A49-03	3 dB +/-1.0 dB
AT-A49-06	6 dB +/-1.0 dB
AT-A49-07	7 dB +/-1.0 dB
AT-A49-10	10 dB +1.4/-0.5 dB
AT-A49-13	13 dB +1.2/-0.7 dB
AT-A49-15	15 dB +1.2/-0.7 dB
AT-A49-16	16 dB +1.2/-0.5 dB
AT-A49-20	20 dB +1.4/-0.5 dB
AT-A49-30	30 dB 1.5/-0.5 dB


PROPERTY OF R&D MICROWAVES LLC

DRAWN kohamaa	2/22/2017	 R&D Microwaves LLC, USA
CHECKED		
QA		TITLE
MFG		AT-A49 100W ATTENUATION OUTLINE
APPROVED		SIZE B
		DWG NO AT-A49-XX-OLrev3
		SCALE
		REV 3
		SHEET 1 OF 2



VIEW OF AT-A49A-XX

ATTENUATION	
MODEL	ATTENUATION
AT-A49A-03	3 dB +/-1.0 dB
AT-A49A-06	6 dB +/-1.0 Db
AT-A49A-07	7 dB +/-1.0 dB
AT-A49A-10	10 dB +1.4/-0.5 dB
AT-A49A-13	13 dB +1.2/-0.7 dB
AT-A49A-15	15 dB +1.2/-0.7 dB
AT-A49A-16	16 dB +1.2/-0.5 dB
AT-A49A-20	20 dB +1.4/-0.5 dB
AT-A49A-30	30 dB 1.5/-0.5 dB

DRAWN kohamaa	2/22/2017	 R&D Microwaves LLC, USA			
CHECKED					
QA		TITLE			
MFG		AT-A49 100W ATTENUATION OUTLINE			
APPROVED		<table border="1" style="width: 100%;"> <tr> <td>SIZE B</td> <td>DWG NO AT-A49-XX-OLrev3</td> <td>REV 3</td> </tr> </table>	SIZE B	DWG NO AT-A49-XX-OLrev3	REV 3
SIZE B	DWG NO AT-A49-XX-OLrev3	REV 3			
		SCALE			
		SHEET 2 OF 2			