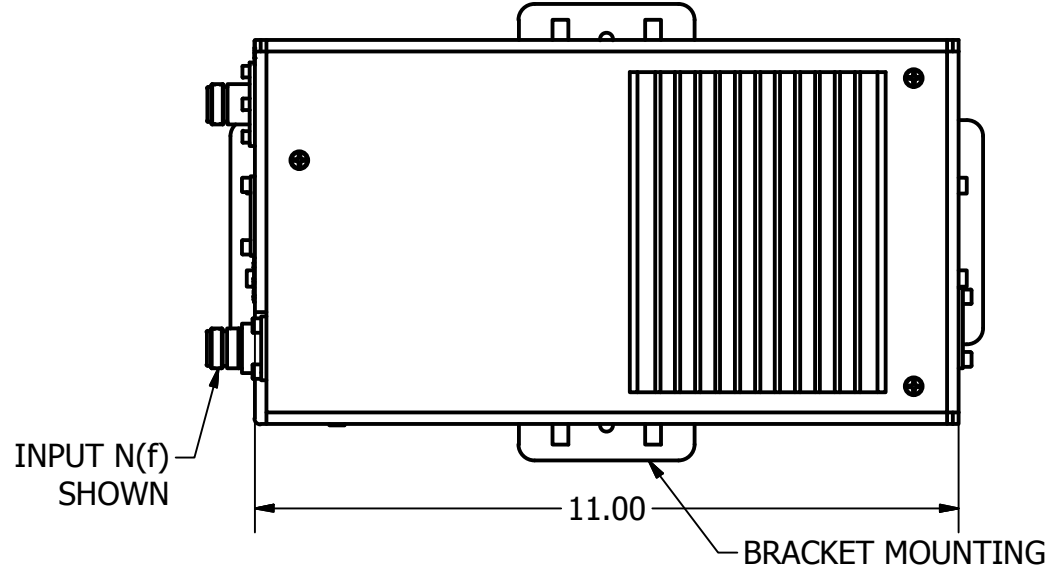
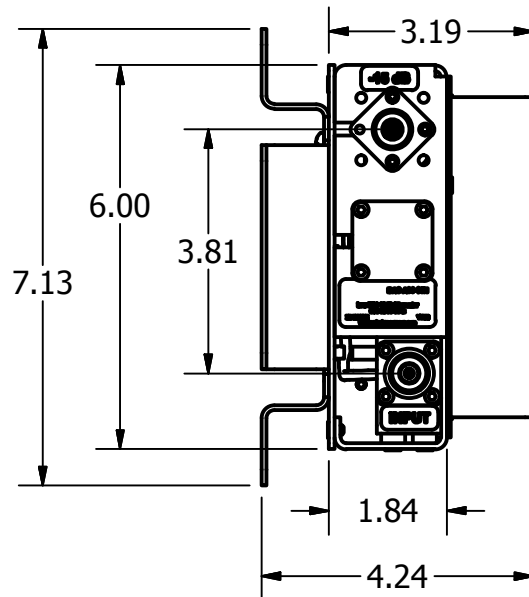


REVISION HISTORY				
ZONE	REV	DESCRIPTION	DATE	APPROVED
	1	ENGINEERING RELEASE	1/17/2018	DM




*UNLESS OTHERWISE SPECIFIED, FEMALE CONNECTORS SUPPLIED

SPECIFICATION:

FREQUENCY: 698-2700 MHz
 ATTENUATION ACCURACY:
 3 dB: ±1.0 dB
 6 dB: ±1.0 dB
 10 dB: +1.2/-0.5 dB
 13 dB: +1.2/-0.7 dB
 15 dB: +1.2/-0.7 dB
 20 dB: +1.2/-0.5 dB
 30 dB: +1.2/-0.5 dB
 INPUT-OUTPUT R.L.: 20 dB
 PIM: 160 dBc at 1900 MHz
 CONNECTOR: 4.3-10, 7-16 DIN, OR TYPE N
 POWER: 100W INPUT
 5W REVERSE

Typical Part Number							
AT-A56X-10XXX-XX		Connector Location:	Location ID:	Connector:	Connector ID:	Mounting:	Mounting ID:
Location ID		Same Side	N/A	7-16 DIN	D	None	N/A
Attenuation		Inline	A	4.3-10	D43	DIN Rail	DR
Connector ID				TYPE N	N	Bracket	BR
Mounting ID							

DRAWN mclaughlind	10/16/2017	 R&D Microwaves LLC, USA
CHECKED TB	1/17/2018	
QA MdB	1/17/2018	TITLE
MFG		AT-A56-XX, 100W BIDIRECTIONAL ATTENUATOR
APPROVED		SIZE A
		DWG NO AT-A56-XX-OLrev1
		REV 1
		SCALE 1:3
		SHEET 1 OF 1

B

B

A

A

2

1