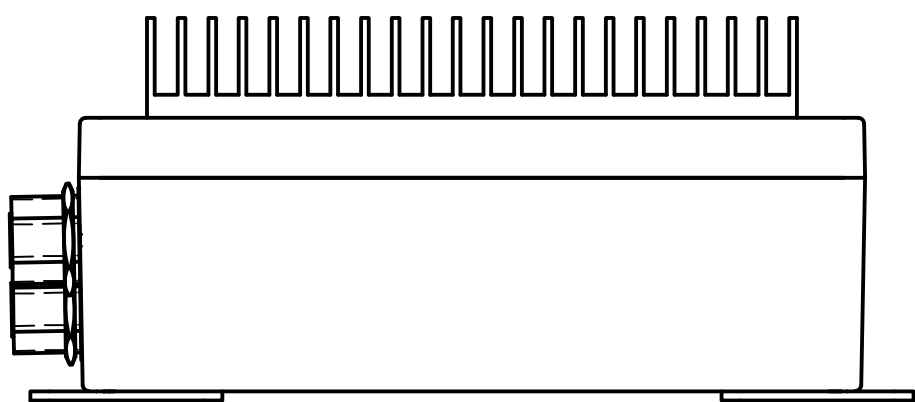
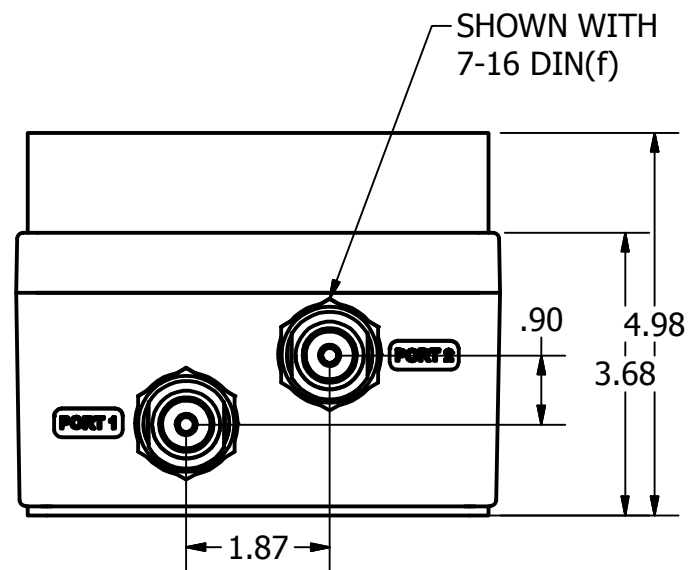


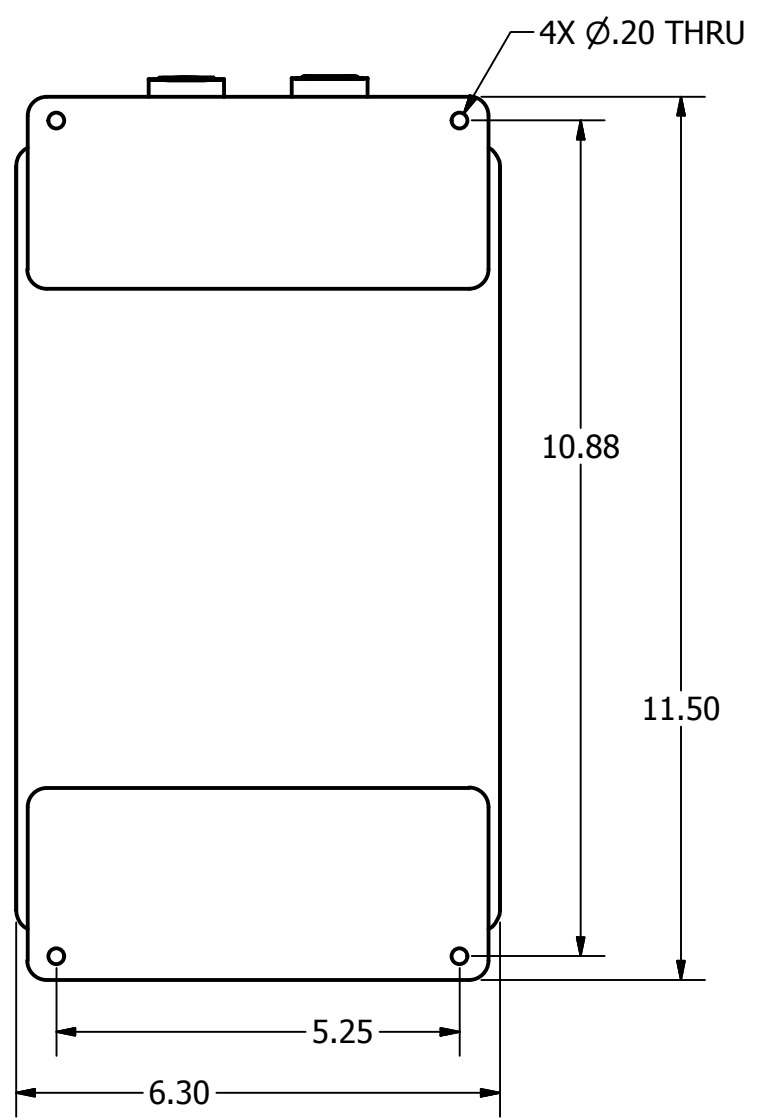
REVISION HISTORY				
ZONE	REV	DESCRIPTION	DATE	APPROVED
	1	ENGINEERING RELEASE	11/14/2017	DM
	2	ADDED HEATSINK, VARIATIONS TABLE	1/9/2018	DM



SPECIFICATION:


FREQUENCY: 600-6000 MHz
 ATTENUATION: 10 dB ± 0.75 dB
 20 dB ± 0.75 dB
 30 dB ± 0.75 dB
 RETURN LOSS
 PORT 1: 20dB MIN
 PORT 2: 18dB MIN
 PIM*: 160 dBc, PORT 1 OR PORT 2
 CONNECTORS: 4.3-10.0, Type N, 7-16 DIN (FEMALE)
 POWER: 100W AVG, PORT 1 OR PORT 2
 ENVIRONMENT: IP67

*CONNECTORS MAY BE ON THE SAME SIDE OR IN LINE ON OPPOSITE SIDES - ADD "A" SUFFIX ON MODEL NUMBER



CONNECTOR TABLE		
CONNECTOR	PART NUMBER (SAME SIDE)	PART NUMBER (OPPOSITE SIDES)
4.3-10	AT-A60D43	AT-A60D43-A
TYPE N	AT-A60N	AT-A60N-A
7-16 DIN	AT-A60D	AT-A60D-A

PROPERTY OF R&D MICROWAVES LLC

DRAWN kohamaa	2/22/2017	 R&D Microwaves LLC, USA
CHECKED		
QA		TITLE
MFG		AT-A60-XXX 100W ATTENUATOR OUTLINE
APPROVED		SIZE B
		DWG NO AT-A60-XXX-OLrev2
		SCALE
		REV 2
		SHEET 1 OF 1