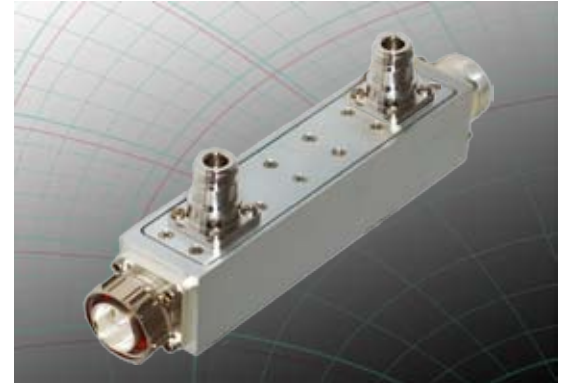


Single Directional Coupler

Model C1-A07-10 10.0 dB

Two section, single directional airline (slabline) coupler

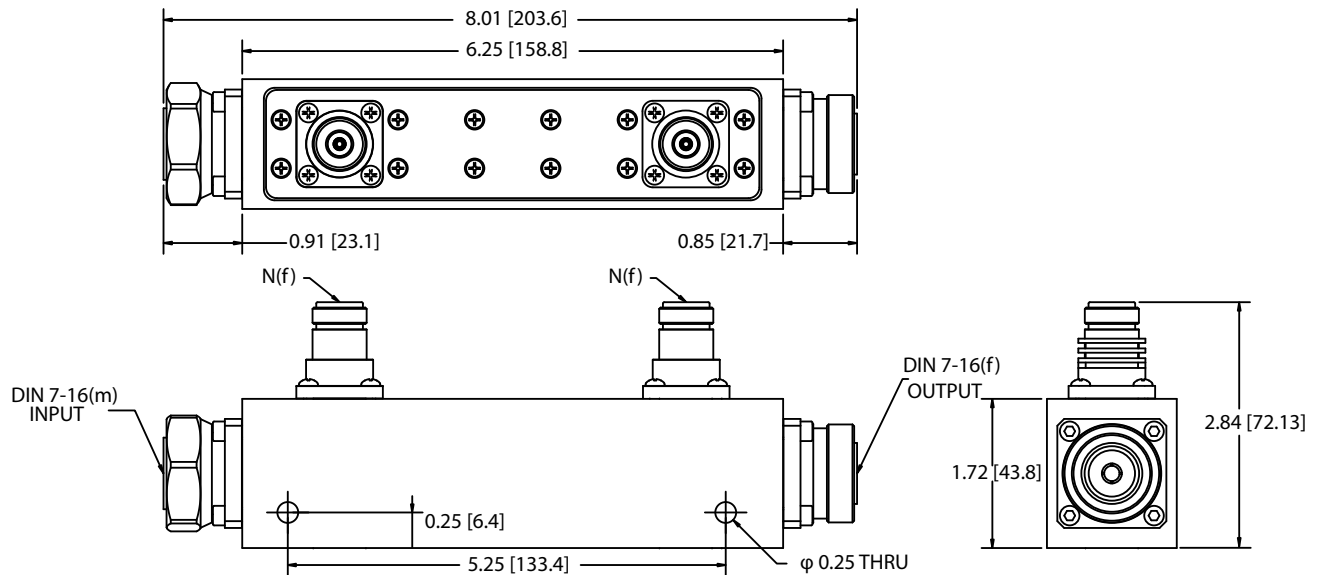
Model	C1-A07-10	
Frequency range	376 - 500 MHz	
	376 - 400 MHz	400 - 500MHz
Coupling	11.0 dB \pm 0.8 dB	10.0 dB \pm 0.8 dB
VSWR In/Out / Coupled	20 dB	20 dB
Power Rating	400W Avg. peak 3k	
Directivity	30 dB Min.	
Impedance	50 Ω	
Intermodulation PIM	163 dBc	
Connectors	7-16 DIN male/female, Type N female	
Material:		
Housing	Passivated Aluminium	
Inner Conductor & Connectors	Brass, Silver Plated	
Profile cross-section	204 x 112 mm (8" x 4.4")	
Weight approx	0.8 kg (1.8 lb)	



R&D Microwaves airline directional coupler has been designed for indoor applications covering 376 to 500 MHz. This coupler samples a defined fraction of signal with minimal reflection or loss. The extremely wide frequency range allows use with multiband antennas, leaky cable system and distributed antenna systems. Low loss dielectric combined with minimal solder joints minimizes the dissipative loss and enhances reliability.

Made in USA.

- Flat response 376 to 500 MHz
- Minimal RF Insertion Loss
- Rugged, High Reliability
- Low PIM
- 400W Average Main Line Power
- ROHS Compliant



DIMENSIONS: in [mm]
TOLERANCE: 0.03 [0.8]

R&D Microwaves LLC, 11 Melanie Lane #12, East Hanover, NJ 07936 USA

Tel. 908.212.1696 www.rdmicrowaves.com

email: sales@rdmicrowaves.com