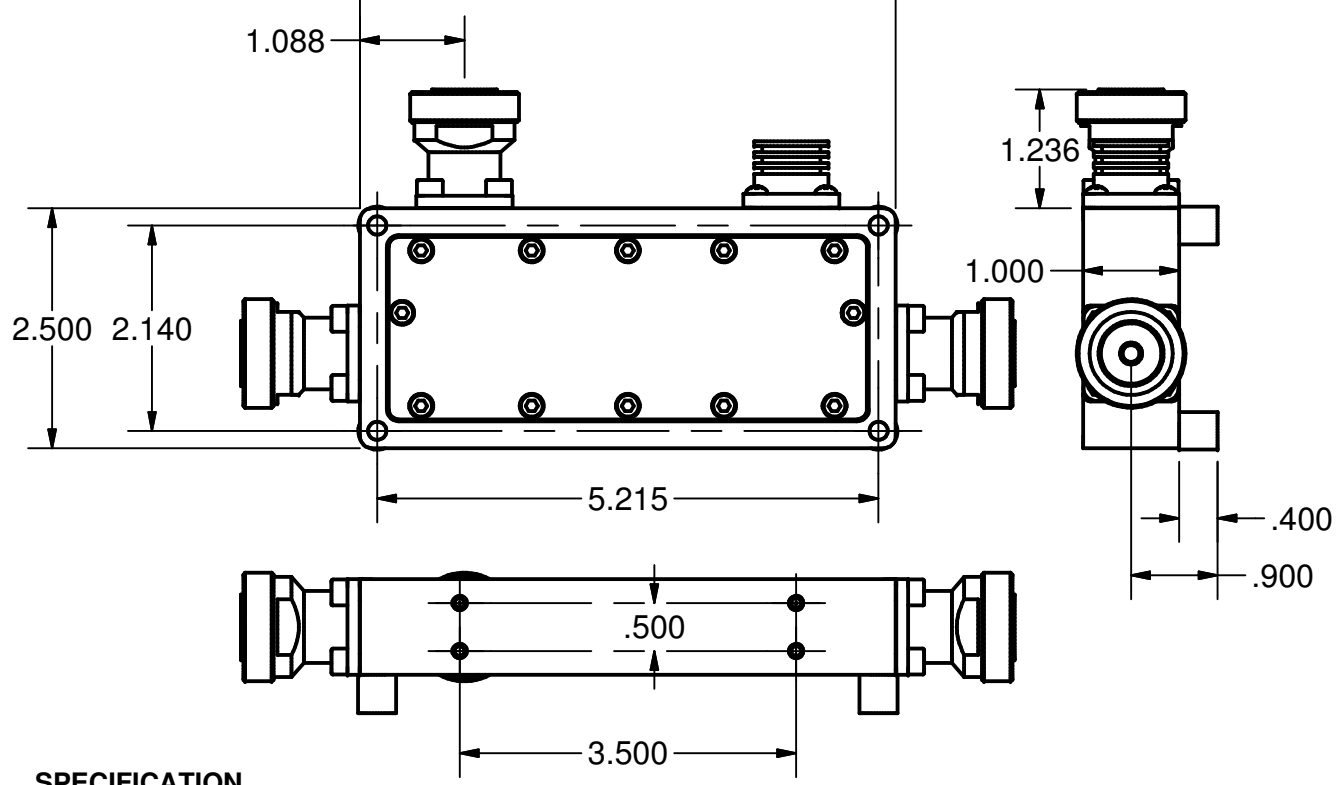



REVISION HISTORY				
ZONE	REV	DESCRIPTION	DATE	APPROVED
	1	ENGINEERING RELEASE	02-15-2013	Marek A



SPECIFICATION

FREQUENCY RANGE: 380-500MHz 698-3000 MHz
 COUPLING: 16+4/+1dB 16+1/-0.0 dB
 INSERTION LOSS TRUE: 0.20 dB 0.30 dB
 DIRECTIVITY: 23 dB MIN
 PRIMARY LINE VSWR: 20 dB MIN
 SECONDARY LINE VSWR: 20dB MIN
 RF POWER: 200W AVE
 INTERNAL TERMINATION: 5 W AVE
 PIM 2x20W: 156dBc
 TEMPERATURE: -10°C to +50°C
 ENVIRONMENT: IP65

R&D MICROWAVES LLC PROPRIETARY INFORMATION

DRAWN MarekA	10/26/2010		R&D Microwaves LLC, USA	
CHECKED			TITLE	
QA		DIN 7-16 FEMALE DIRECTIONAL COUPLER, 16dB, 0.7-3.0 GHz		
MFG		SIZE	DWG NO	REV
APPROVED		A	C1-B28Drev1	1
		SCALE	SHEET 1 OF 1	