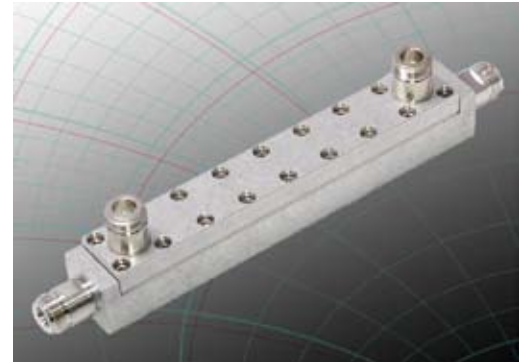




Single Directional Couplers

Model C1-A45

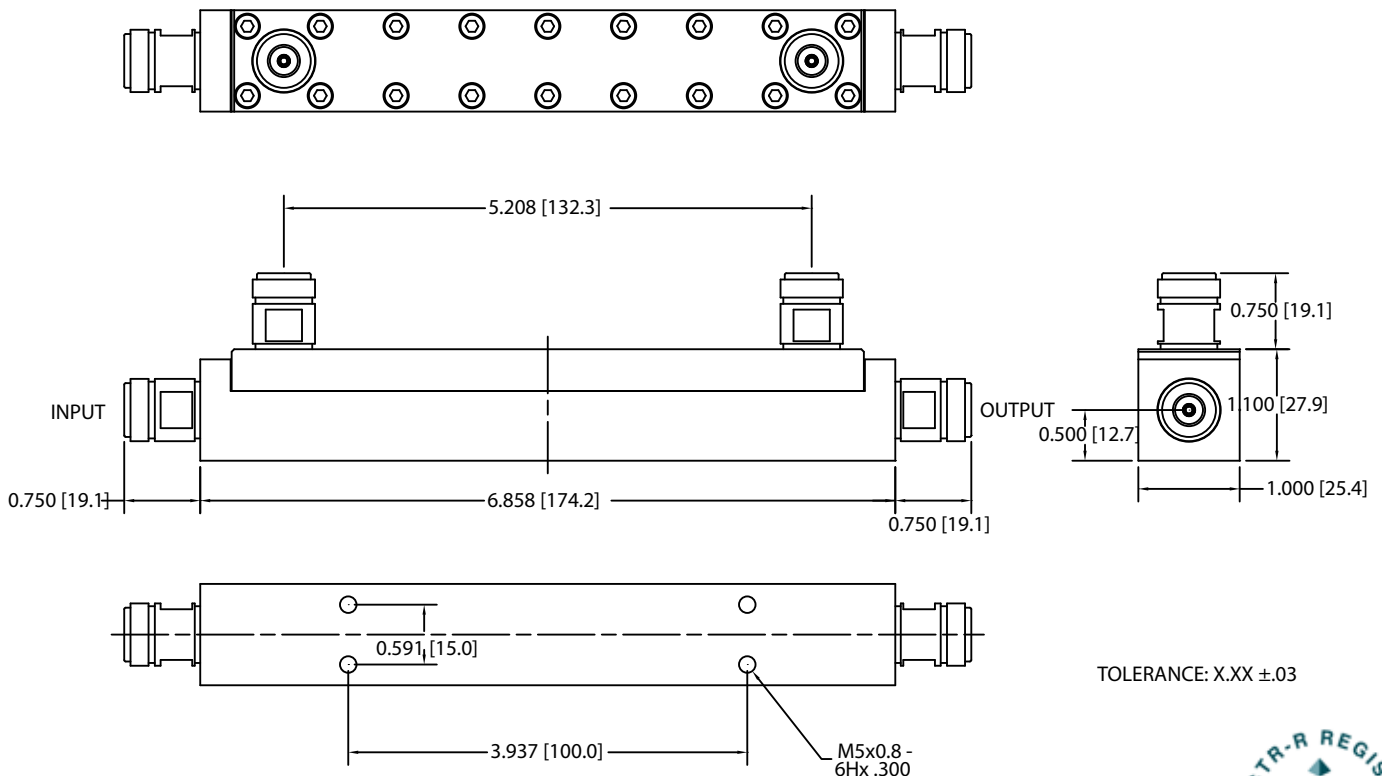
Model		C1-A45
Frequency range coupled output main line		700 - 2700 MHz DC - 13 GHz
Coupling 700-2700 MHz		30 ± 1.0 dB
Coupling Flatness		± -0.2 dB any 20 MHz
Insertion Loss	DC - 3 GHz 3 - 13 GHz	0.1 dB Max 4.0 dB Max
Return Loss	700-2700 Mhz	20 dB
Directivity	700-2700 Mhz	20 dB Min
Passive IM		160 dBc
Power		50 dBm Min
Connectors		TYPE N female
Termination		External
Material: Housing Inner Conductor & Connectors		Aluminum, Conversion Coating Brass, Silver Plated



The Model C1-A45 is a 3 section coaxial directional coupler that operates in the 700-2700 MHz range for the coupling frequency, with a main line that passes up to 13 GHz without moding effects. The unit is designed for maximum flatness of coupling over any 20 MHz segment in the band, and for high directivity (20 dB) suitable for accurate test bench and equipment monitoring accuracies. The unit is supplied as a 4 port device and the required termination is not supplied (external termination).

- Low VSWR and Loss
- High reliability, Low PIM
- ROHS Compliant
- Mode free to 13 GHz

Made in USA.



TOLERANCE: X.XX ±0.03