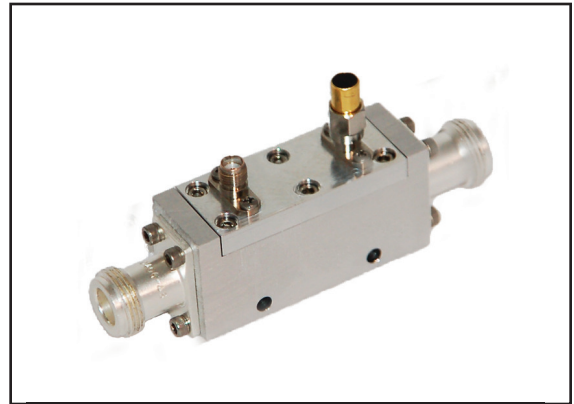




Single Directional Couplers

C1-A83, 30dB Single Directional Coupler

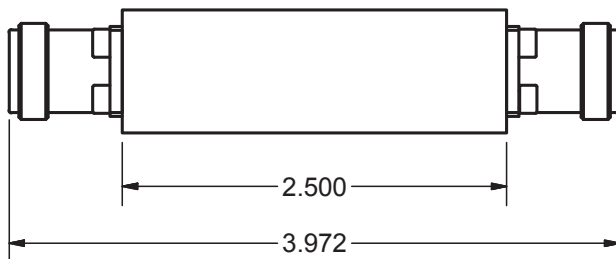
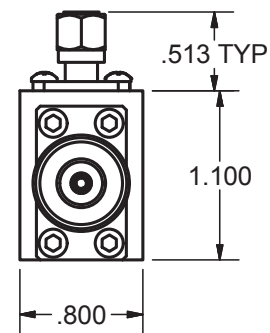
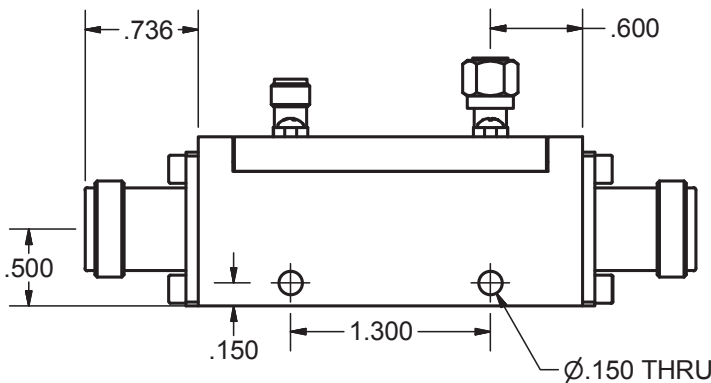
Model		C1-A83		
Frequency Range:	2.0-12.4 GHz			
Coupling:	30 dB			
Frequency Range (GHz):	2.0-4.0	4.0-8.0	8.0-12.4	
Coupling (incl. freq. sens.):	±1.0	±1.5	±1.5	
Frequency Sensitivity:	±0.75	±1.0	±1.0	
Directivity:	20	18	15	
Insertion Loss (dB):	0.1	0.15	0.2	
Return Loss (dB), Main Line:	23	17	17	
Return Loss (dB), Cpld Port:	20	15	12	
PIM:	typical 160 dBc			
Power, Average:	600 Watts			
Peak:	10 kW			
Connectors:	Type N Female, Main Line SMA Female Coupled Port			



The Model C1-A83 is one of RD Microwaves new Taperline products for broadband flat coupling value over the full range 2.0-12.4 GHz. The frequency sensitivity is included in the coupling accuracy specification over the full frequency range per the chart. The unit uses a unique tapered coaxial airline (Taperline) continuous taper construction with an RFI compression sealing system for temperature insensitive performance and RF leakage control. The air dielectric and solid conductors are associated with low insertion loss, very high power, and low PIM performance.

- 600 W Average Power
- Low VSWR and Loss
- High Reliability, Low PIM

Made in USA.



R&D Microwaves LLC, 301 Rockaway Valley Road, Boonton, NJ 07005 USA
 Tel. 908.212.1696 www.rdmicrowaves.com
 email: sales@rdmicrowaves.com

Rev 1.1
 4/21/15

