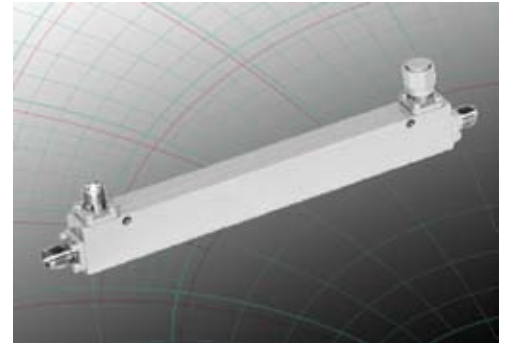




Single Directional Couplers

C1-A89, 30dB Single Directional Coupler

Model	C1-A89
Frequency range	0.8 - 4 GHz
Coupling (incl. freq. sens.)	30 dB ± 1.0dB
Frequency sensitivity	± 0.6 dB
Directivity (dB)	20 dB
Insertion Loss (dB)	0.30 dB
Return Loss (dB)	20 dB
Power	50 Watts
Peak	3 kW
Operating temperature	-55°C to + 85°C
Connectors	SMA female



The Model C1-A89 is one of RD Microwaves new Taperline products for broadband flat coupling value over the full range 0.8 - 4 GHz. The frequency sensitivity is included in the coupling accuracy specification over the full frequency range.

The unit uses a stripline continuous taper construction with an RFI compression sealing system for temperature insensitive performance and RF leakage control.

- 50 W average power
- Low VSWR and Loss

Made in USA.

