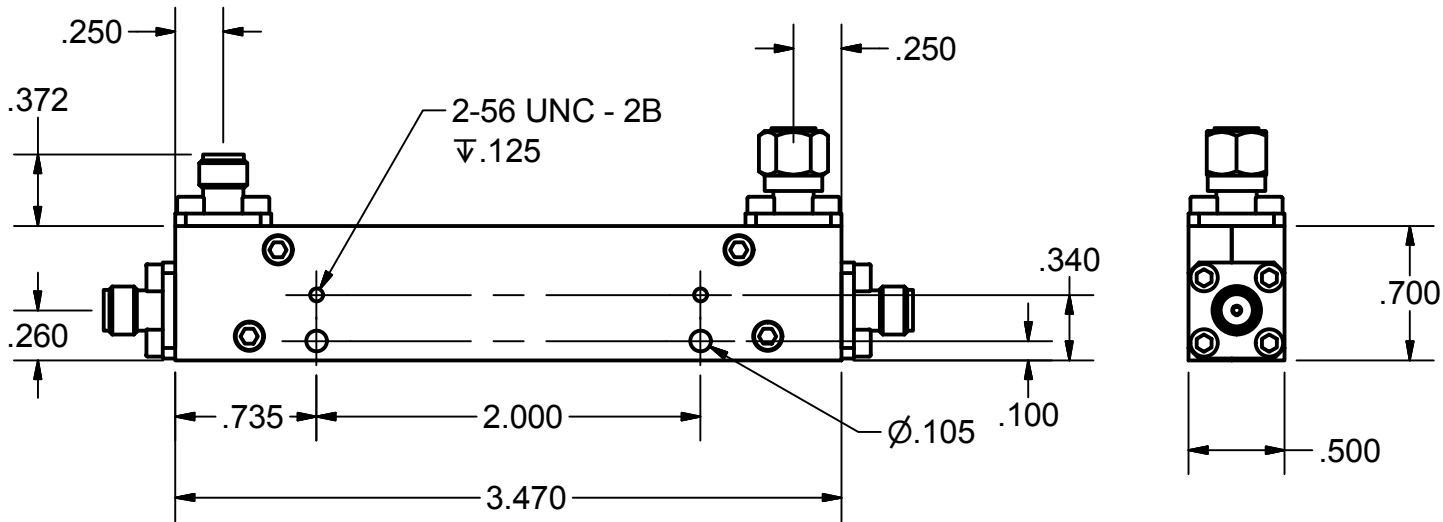



REVISION HISTORY				
ZONE	REV	DESCRIPTION	DATE	APPROVED
	1	ENGINEERING RELEASE	12-07-2010	Marek A



SPECIFICATION

FREQUENCY RANGE: 1.0 - 18.0 GHz
 COUPLING (INCLUDES FREQUENCY SENSITIVITY): 16±1.00 dB
 FREQUENCY SENSITIVITY: ±0.5 dB
 INSERTION LOSS:
 EXCLUDING COUPLED POWER: 0.80 dB
 TRUE: 0.90 dB
 DIRECTIVITY: 1-12.4 GHz 15 dB MIN
 12.4-18 GHz 12 dB MIN
 PRIMARY LINE VSWR: 1.4 MAX
 SECONDARY LINE VSWR: 1.5 MAX
 INCIDENT POWER: 50W AVG
 REFLECTED POWER: 2 W AVG
 PEAK POWER: 3 kW

R&D MICROWAVES LLC PROPRIETARY INFORMATION

DRAWN MarekA	12/7/2010	 R&D Microwaves LLC, USA
CHECKED		
QA		TITLE
MFG		SMA FEMALE DIRECTIONAL COUPLER BROADBAND FREQUENCY RANGE 1.0-18.0 GHz
APPROVED		SIZE A
		DWG NO C1-A98rev1
		REV 1
		SCALE
		SHEET 1 OF 1