

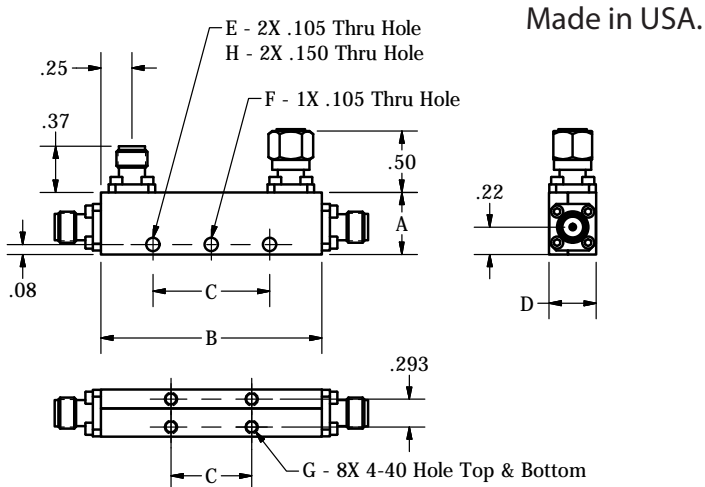
# Single Directional Couplers

SMA Broadband Multi-Octave Couplers, 0.5-18 GHz

Common Specifications		
Coupling:	6, 10 dB	20, 30 dB
Input Power:	10 Watts Max	50 Watts Avg, 3 kW Peak
Connectors:	SMA Female	
Temperature:	-55 to +85 °C	
Specifications apply @ room temperature 25 ± 5 °C		



Outline	A	B	C	D	Mtg Holes
1	0.53	3.6	2.6	0.38	E
2	0.73	6.47	3.5	0.50	G
3	0.68	1.78	0.88	0.38	E
4	0.7	2.1	1	0.38	E
5	0.55	1.22	0.375	0.38	E
6	0.5	1	-	0.38	F
7	0.6	1	-	0.38	F
8	0.6	3.6	-	0.38	F
9	0.54	3.6	-	0.38	F
10	0.68	2.9	2	0.38	E
11	0.6	1.88	1	0.38	E
12	0.7	2.09	1	0.38	E
13	0.715	3.06	N/A	0.75	N/A
14	1	5.34	3.5	1	D
15	0.6	4.4	3.4	0.38	E



Request Individual Part Number Datasheet for latest specification and Revision

RD product number	Frequency (GHz)	Coupling (dB)	Flatness (±dB)	Directivity		Insertion Loss (dB Max)	VSWR			Outline	
				Freq. (GHz)	(dB)		Freq. (GHz)	main line	cpd port		
C1-B41	0.5-2.0	6 ± 1.0	0.75	0.5-2.0	23	2.0	0.5-2.0	1.2	1.2	1	
C1-C24		10 ± 1.0				0.9				9	
C1-C25		20 ± 1.0				0.4				8	
C1-C26		30 ± 1.0				0.4				8	
C1-B125-10 (Airline)		10 ± 1.0				N/A				0.5-18	15
C1-A0518-10	0.5-18	10 ± 1.5	0.75	0.5-4	22	0.5-8	1.35	1.35	2		
C1-B125-20 (Airline)		20 ± 1.0		N/A	4-12.4	15	8-18	1.6	1.6	14	
					12.4-18	10	0.5-18	1.35	1.35		
C1-A0518-20		20 ± 2.0	0.75	0.5-4	22	0.5-8	1.3	1.3	2		
C1-B125-30 (Airline)				30 ± 1.0	N/A	4-12.4	15	8-18		1.35	1.35
		C1-A0518-30	30 ± 3.0			0.8	12.4-18	10	0.5-18	1.35	1.35
C1-A75				0.6-4.0	10 ± 1.25		0.75	0.6-4.0	18	0.9	-6-4.0
		C1-C27-06	6 ± 1.0			23					
C1-C27-10		10 ± 1.0	23	0.9							
C1-C27-20		20 ± 1.0	23	0.45							
C1-C27-30	30 ± 1.0	21	0.45								
C1-A42 (Airline)	10 ± 1.0	0.8	1.0-4.0	20	0.15	1.0-4.0	1.07	1.15	13		
C1-B46	2.0-8.0	6	0.5	2.0-8.0	20	2.2	2.0-8.0	1.25	1.25/1.3	3	
C1-A96		10				1				3	
C1-C28-20	2.0-8.0	20 ± 1.0	0.5	2.0-8.0	20	0.45	2.0-8.0	1.25	1.25	11	
C1-C28-30		30 ± 1.0				18				0.45	1.25
C1-B44	2.0-18.0	6 ± 1.0	0.5	2.0-18.0	12	2	2.0-18.0	1.35	1.4	4	
C1-A97		10 ± 1.0			12	1.3				4	
C1-B40		20 ± 1.0			12	0.9				1.4	12
C1-C30		30 ± 1.0			10	0.9				1.4	12
C1-B21		4-12.4			6	0.5				4.0-12.4	17
C1-B36	10		0.3								
C1-B16	20		0.6								
C1-C29-06	7.5-16.0	6 ± 1.1	0.6	7.5-16.0	12	2	7.5-16.0	1.35	1.4	6	
C1-C29-10		10 ± 1.25	0.75		12	1				6	
C1-C29-20		20 ± 1.0	0.75		15	0.5				7	
C1-C29-30		30 ± 0.75	0.75		15	0.5				7	

R&D Microwaves LLC, 301 Rockaway Valley Road, Boonton, NJ 07005 USA  
 Tel. 908.212.1696 www.rdmicrowaves.com  
 email: sales@rdmicrowaves.com

