



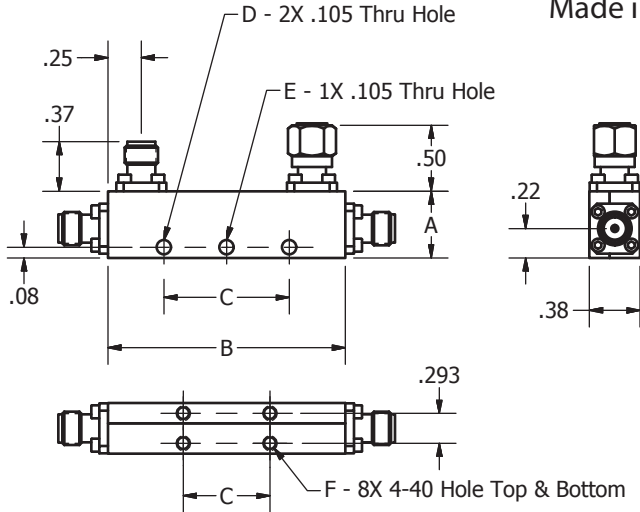
Single Directional Couplers

SMA Octave Couplers, 0.5-18 GHz

Common Specifications		
Coupling:	6, 10 dB	20, 30 dB
Input Power:	10 Watts Max	50 Watts Avg, 3 kW Peak
Connectors:	SMA Female	
Temperature:	-55 to +85 °C	
Specifications apply @ room temperature 25 ± 5 °C		



Made in USA.



Outline	A	B	C	Mtg Holes
1	0.5	3.1	1.5	D
2	0.5	1.78	0.94	D
3	0.59	1.84	0.94	D
4	0.55	1.16	0.34	D
5	0.5	1.16	0.34	D
6	0.5	1	-	E
7	0.55	1	-	E
8	0.6	1	-	E

RD product number	Frequency (GHz)	Coupling (dB)*	Flatness (±dB)	Directivity (dB)	Insertion Loss (dB Max)	VSWR		Outline
						main line	cpld port	
C1-B15-6	0.5 - 1.0	6 ±1.00	0.75	25	0.2	1.1	1.1	1
C1-B15		10 ±1.25						1
C1-B15-20		20 ±1.25						1
C1-B15-30		30 ±1.25						1
C1-B05-6	1.0 - 2.0	6 ±1.00	0.75	25	0.2	1.1	1.1	2
C1-B05		10 ±1.25						2
C1-C17		20 ±1.25						2
C1-B76		30 ±1.25						3
C1-B30	2.0-4.0	6 ±1.00	0.6	22	0.2	1.15	1.15	4
C1-B96		10 ±1.25	0.75					5
C1-B30-20		20 ±1.25	0.7					4
C1-B30-30		30 ±1.25	0.75					4
C1-A95	2.6 - 5.2	6 ±1.00	0.6	20	0.25	1.25	1.25	6
C1-A92	4.0 - 8.0	6 ±1.00	0.6	20	0.25	1.25	1.25	6
C1-B22		10 ±1.25	0.75					6
C1-A93		20 ±1.25	0.75					6
C1-B77		30 ±1.25	0.75					6
C1-B08-6	7.0-12.4	6 ±1.00	0.5	17	0.3	1.3	1.3	7
C1-B32		10 ±1.00						7
C1-B08-20		20 ±1.00						7
C1-B08-30		30 ±1.00						7
C1-B72	12.4 - 18.0	6 ±1.00	0.5	15	0.5	1.3	1.4	6
C1-A79		10 ±1.00						6
C1-A79-20		20 ±1.00						6
C1-B68		30 ±1.00						8

*Includes Flatness

R&D Microwaves LLC, 301 Rockaway Valley Road, Boonton, NJ 07005 USA
 Tel. 908.212.1696 www.rdmicrowaves.com
 email: sales@rdmicrowaves.com

Rev 1.5
 8/19/15

