

30 dB Low PIM Dual Directional Coupler, Type N(f)

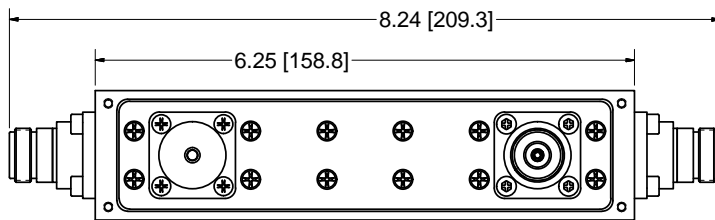
C2-A06		
Frequency Range:	380-500 MHz	
Coupling (incl. freq. sens.): Input↔J1 or Output↔J2	30 ± 1 dB	
Directivity:	Typ.	Min.
Input↔J1 or Output↔J2	30	25
Insertion Loss Input↔Output: 500 MHz	Typ.	Max.
	0.03 dB	0.07 dB
VSWR (Return Loss)	Typ.	Max.
Input & Output:	1.07 (30 dB)	1.12 (25 dB)
Coupled Port:	1.15 (23 dB)	1.3 (17.7 dB)
Impedance	50Ω	
Intermodulation IM3: (2x43 dBm Carrier)	160 dBc	
Max Power	300W Avg., 3kW Peak	
Termination Power	3W Avg.	
Connectors:	Type N female, flange with O-ring	
Material:	Aluminum, Conversion Coating Brass, Silver Plated	
DC Continuity	RF & DC RF Only	
Weight Approx.:	1.2 kg (2.64 lb)	



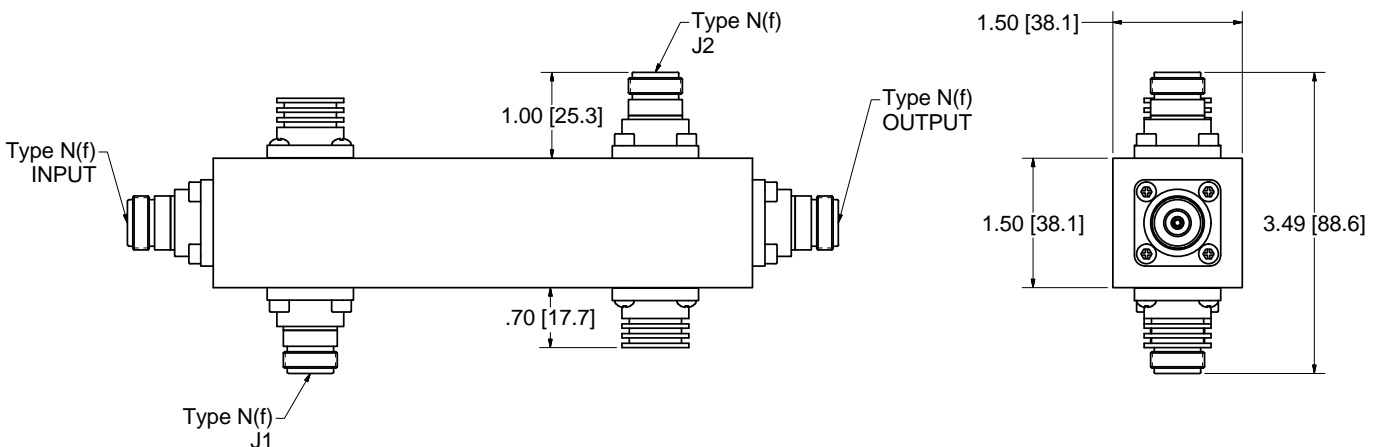
R&D Microwaves patented two section airline dual directional coupler covering wireless applications in the 380-500 MHz band. Available with Type N(f) connectors, this design offers RF power ratings of 300 watts (3kW peak). Insertion loss is less than 0.01 dB, RL is better than 25 dB across the entire band. These couplers are ideal for antenna power monitoring applications in base station installations.

Made in USA.

- 300W Average power
- Low VSWR and loss
- High reliability, Low PIM
- Custom connectors configuration
- RoHS Compliant



DIMENSION: in [mm]
 HOLE TOLERANCE: X.XXX ±.003 [0.1]
 LENGTH TOLERANCE: X.XXX ±.010 [0.3]
 LENGTH TOLERANCE: X.XX ±.030 [0.8]
 THREADS SPECIFICATION AFTER PLATING
 PROPERTY OF R&D MICROWAVES LLC



R&D Microwaves LLC, 301 Rockaway Valley Road, Boonton, NJ 07005 USA
 Tel. 908.212.1696 www.rdmicrowaves.com
 email: sales@rdmicrowaves.com

Rev 2.0
 11/28/16

