

Dual Directional Couplers

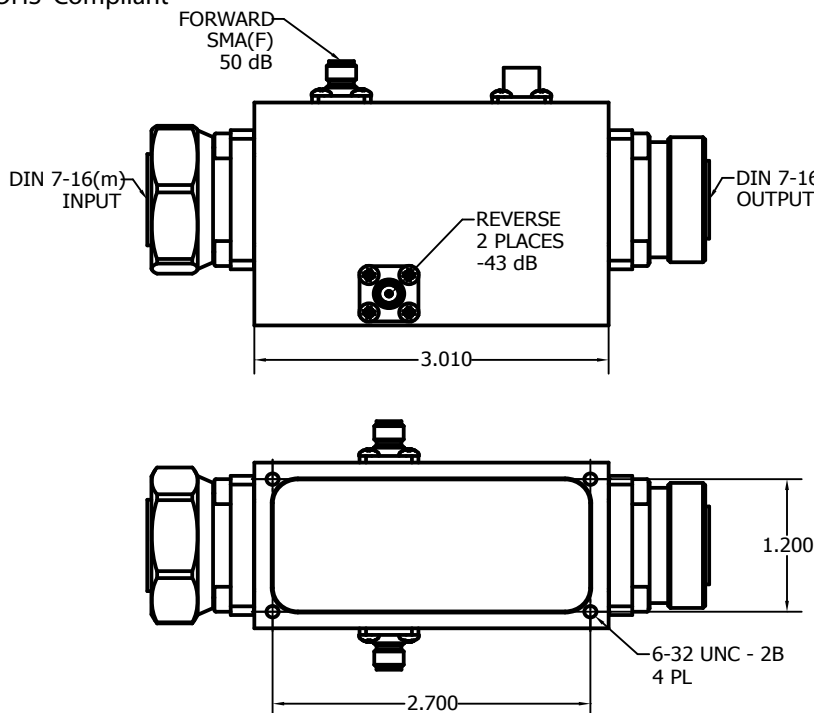
C2-A28mf, 50db Forward, 43.5dBx2 Reverse, Dual Directional Coupler PIM optimized
Single section (slabline) coupler.
TYPE 7-16 DIN

Model	C2-A28mf	
Frequency range	1700 - 2200 MHz	
Coupling Value forward	50 dB +/- 0.25 dB	
reverse	2 x 43.5 dB +/- 0.25 dB	
Directivity	TYP	MIN
Isolation for (2) reverse coupler outputs > 20 dB	30 dB	25 dB
Insertion Loss	TYP	MAX
800 MHz	0.03 dB	0.07 dB
2170 MHz	0.05 dB	0.1 dB
VSWR and (Return Loss)	TYP	MIN
Input and Output	1.07 (30 dB)	1.12 (25 dB)
Coupled Port	1.15 (23 dB)	1.3 (17.7 dB)
Impedance	50 Ω	
Intermodulation IM3 (2 x 43 dBm carrier)	155 dBc	
Max. Power	500 W Avg, 5KW Peak	
Termination Max. Power	3 W Avg	
Connectors	male/female TYPE 7-16 DIN, flange with O-ring	
Material:	Aluminum, Conversion Coating	
Housing	Brass, Silver Plated	
Inner Conductor & Connectors		
DC continuity		
Input ↔ Output	RF and DC	
Input ↔ Coupled Port	RF only	
Temperature range	-25 to +75 °C	
Weight approx	TBD	



R&D Microwaves LLC single section, airline, Dual Directional Coupler covering wireless applications in the 1700-2200 MHz band. Supplied with TYPE 7-16 DIN connectors, this design offers RF power ratings of 500 Watts (3.0 kW peak). Insertion loss is less than 0.15 dB, RL is better than 25 dB, coupling is 50 dB with directivity better than 25 dB across the entire band. These couplers are ideal for antenna power monitoring applications in base station installations. Custom connectors configuration and enhanced directivity models available. Two isolated reverse coupled output ports are provided in this unit @ 43.5 dB each.

- 500 W average power
- Low VSWR and Loss
- High reliability, Low PIM
- ROHS Compliant



Made in USA.