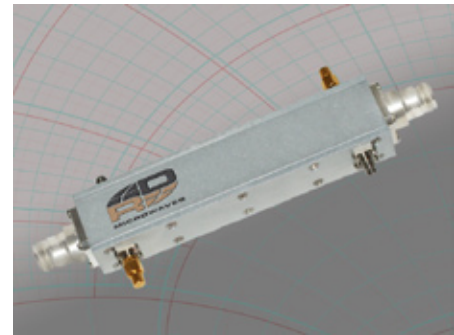


# Dual Directional Couplers

C2-A37, 30dB Dual Directional Coupler PIM optimized

| Model  | C2-A37  |                               |
|--|---|-------------------------------|
| Frequency range  | 108 - 118 MHz   |                               |
| Coupling Accuracy  | 30 ± 0.5 dB   |                               |
| Coupling Flatness  | 0.8 dB peak to peak                                     |                               |
| Directivity  | TYP   | MIN                           |
|  | 30 dB   | 20 dB                         |
| Insertion Loss   | TYP   | MAX                           |
|  | 0.12 dB   | 0.20 dB                       |
| VSWR and (Return Loss)<br>Input and Output<br>Coupled Port | TYP   | MAX                           |
|  | 1.07 (30 dB)<br>1.15 (23 dB)                            | 1.12 (25 dB)<br>1.3 (17.7 dB) |
| Impedance  | 50 Ω  |                               |
| Intermodulation IM3<br>(2 x 43 dBm carrier)                | 155 dBc   |                               |
| Max. Power   | 500 W Avg, 5 KW Peak                                    |                               |
| Termination Max. Power                                     | 3 W Avg   |                               |
| Connectors   | TYPE N Main Line, female/female<br>SMA(f) Coupled Ports |                               |
| Material:<br>Housing<br>Inner Conductor & Connectors       | Aluminum, Conversion Coating<br>Brass, Silver Plated    |                               |
| DC continuity<br>Input ↔ Output<br>Input ↔ Coupled Port    | RF and DC<br>RF only                                    |                               |
| Weight approx  | 1.2 kg (2.64 lb)  |                               |



The Model C2-A37 dual directional coupler covers applications in the 108 - 118 MHz frequency range with high power, low insertion loss, very high directivity, and excellent PIM performance that is inherent with airline design and construction over the full 108 - 118 MHz frequency. This single section design dual directional coupler is supplied with two (2) terminations on the coupled ports. The unit is supplied with Type N connectors on the main-line and SMA on the coupled ports. The design may easily be modified to 7-16 DIN type connectors and other coupling values can be provided.

**Made in USA.**

- 500 W average power
- Low VSWR and Loss
- High reliability, Low PIM
- ROHS Compliant

