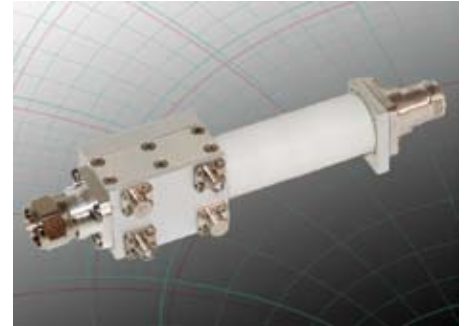




Integrated Directional Coupler and DC Block

Model C2-A50

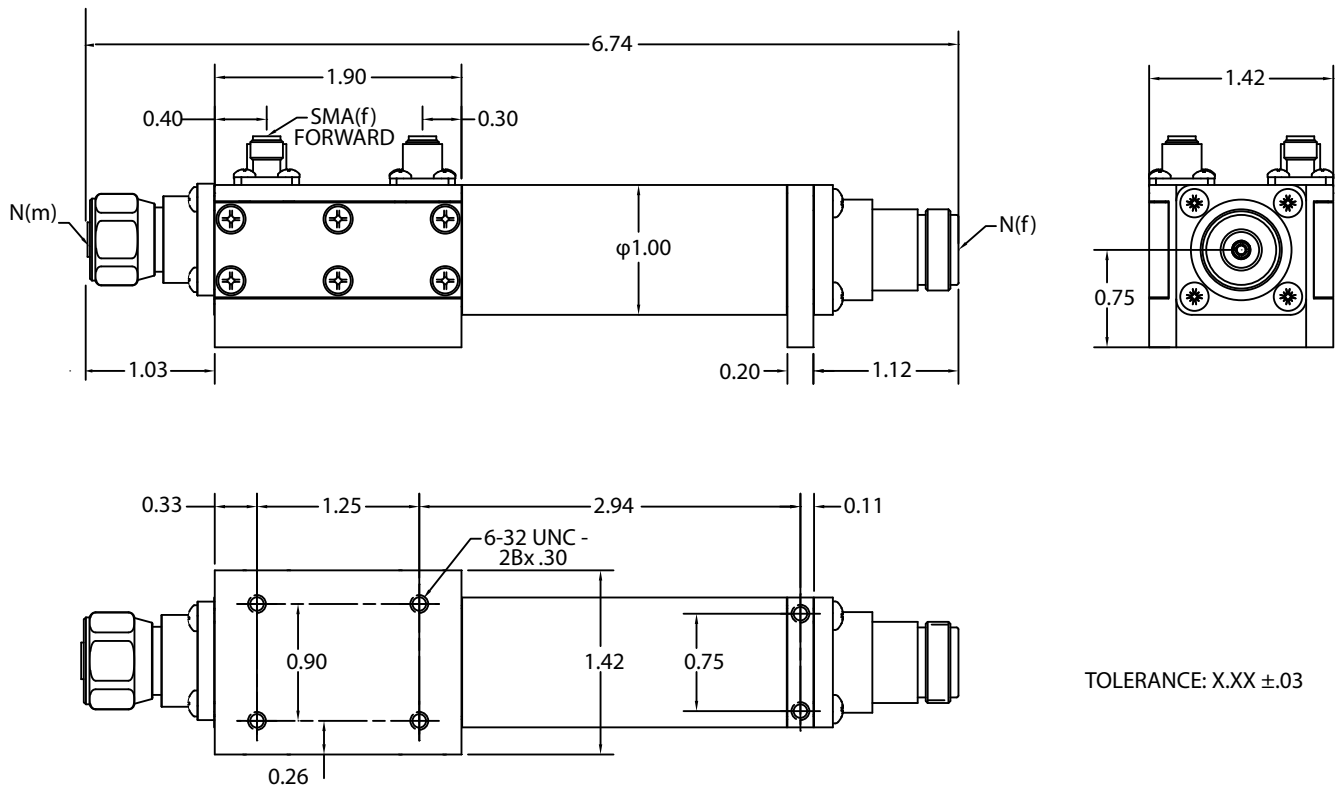
Model	C2 -A50
Frequency range	910 - 930 MHz
Dual directional 28 dB Couplers, internally terminated with 2 Watt loads. Couplers are positioned one forward and one reverse	
Input Power	250 Watts, 4kV peak - tested @ 10kV
Insertion Loss	0.3 dB Max.
Input VSWR	1.20 Max.
Output VSWR	1.20 Max.
Coupled output VSWR	1.25 Max.
Connectors	SMA female output -coupled ports Type N male input and N female output mainline
Material	Connectors-silver plated brass
Housing and Cover	Aluminum, iridite finish, clear
SMA coupled ports	Gold plated contact, stainless steel shell
Temperature	-20 to +55 C
Couplers located on the input or un-isolated side of the unit2	



The Model C2-A50 is an integrated assembly consisting of a dual directional coupler internally terminated, with a DC Block that isolates/blocks DC on both the inner and outer conductors. The unit is intended for high voltage applications with stringent over-voltage testing and safety margin.

Made in USA

ROHS Compliant



R&D Microwaves LLC, 11 Melanie Lane #12, East Hanover, NJ 07936 USA
 Tel. 908.212.1696 www.rdmicrowaves.com
 email: sales@rdmicrowaves.com

Rev. 1.0
03/29/10

