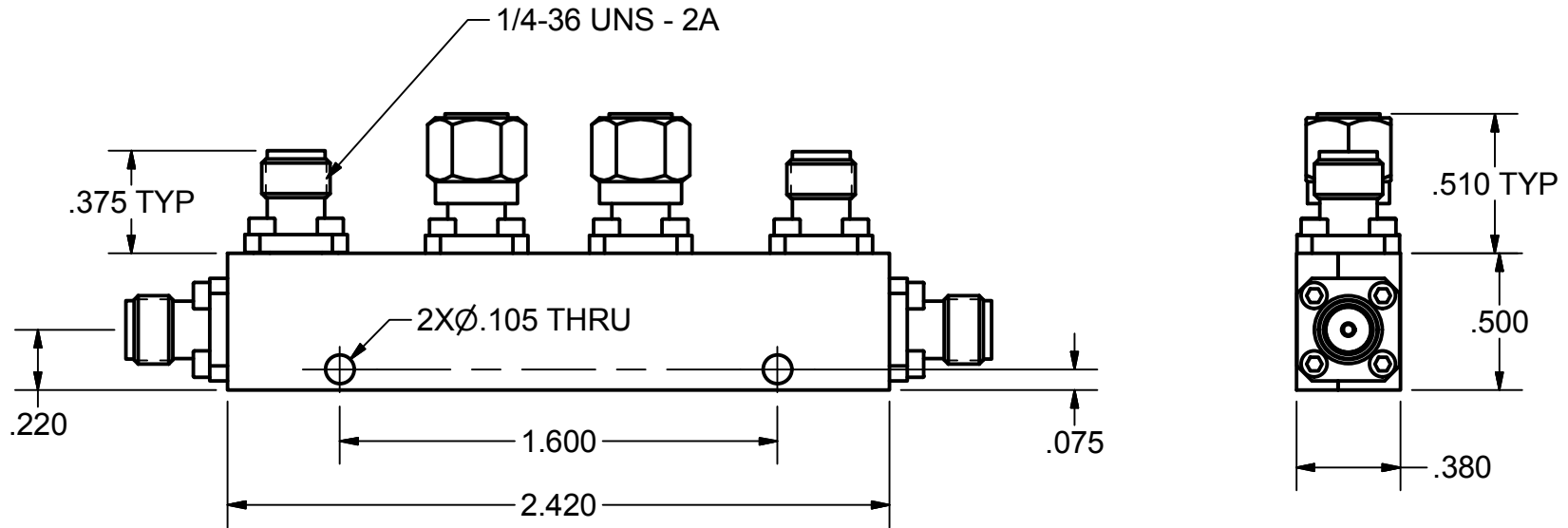



REVISION HISTORY				
ZONE	REV	DESCRIPTION	DATE	APPROVED
	1	ENGINEERING RELEASE	12-20-2011	Marek A



SPECIFICATION

FREQUENCY RANGE: 2.0 - 4.0 GHz
 COUPLING (INCLUDES FREQUENCY SENSIVITY): 20±1.25 dB
 FREQUENCY SENSIVITY: ±0.80 dB
 INSERTION LOSS: TRUE: 0.50 dB
 DIRECTIVITY: 20 dB MIN
 PRIMARY LINE VSWR: 1.2 MAX
 SECONDARY LINE VSWR: 1.15 MAX
 INCIDENT POWER: 50W AVG
 PEAK POWER: 3 kW

R&D MICROWAVES LLC PROPRIETARY INFORMATION

DRAWN MarekA	10/26/2010	 R&D Microwaves LLC, USA
CHECKED		
QA		TITLE
MFG		SMA FEMALE DUAL DIRECTIONAL COUPLER, 20dB FREQUENCY RANGE 2-4 GHz
APPROVED		SIZE A
		DWG NO C2-A59rev1
		REV 1
		SCALE
		SHEET 1 OF 1