



Model CK-A03

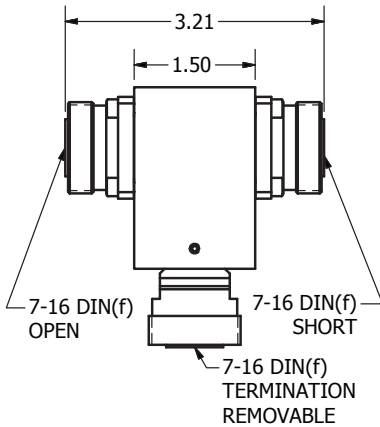


Model CK-A04

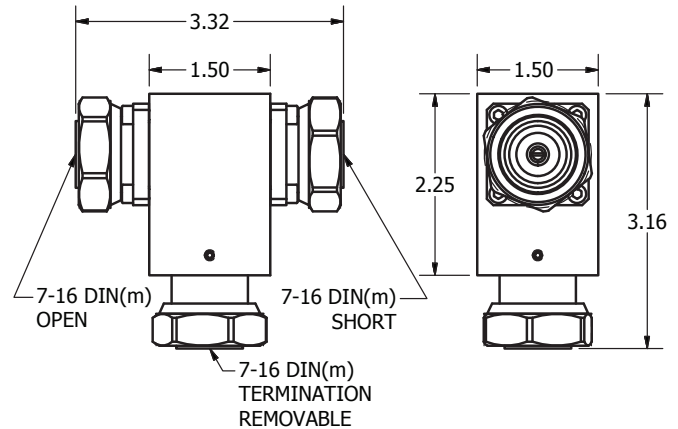


Model CK-A05

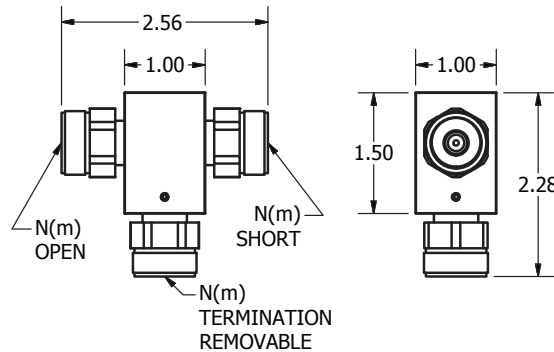
TERMINATION, SHORT, & OPEN supplied in (1) Housing
 TERMINATION POWER: 2 Watts (Replaceable)
 ACCURACY: 0.2%
 FREQUENCY: DC - 4 GHz
 OPEN - SHORT: 180° separation ± 6°
 VSWR: TERMINATION PORT: 35dB typical



Model CK-A03



Model CK-A04



Model CK-A05