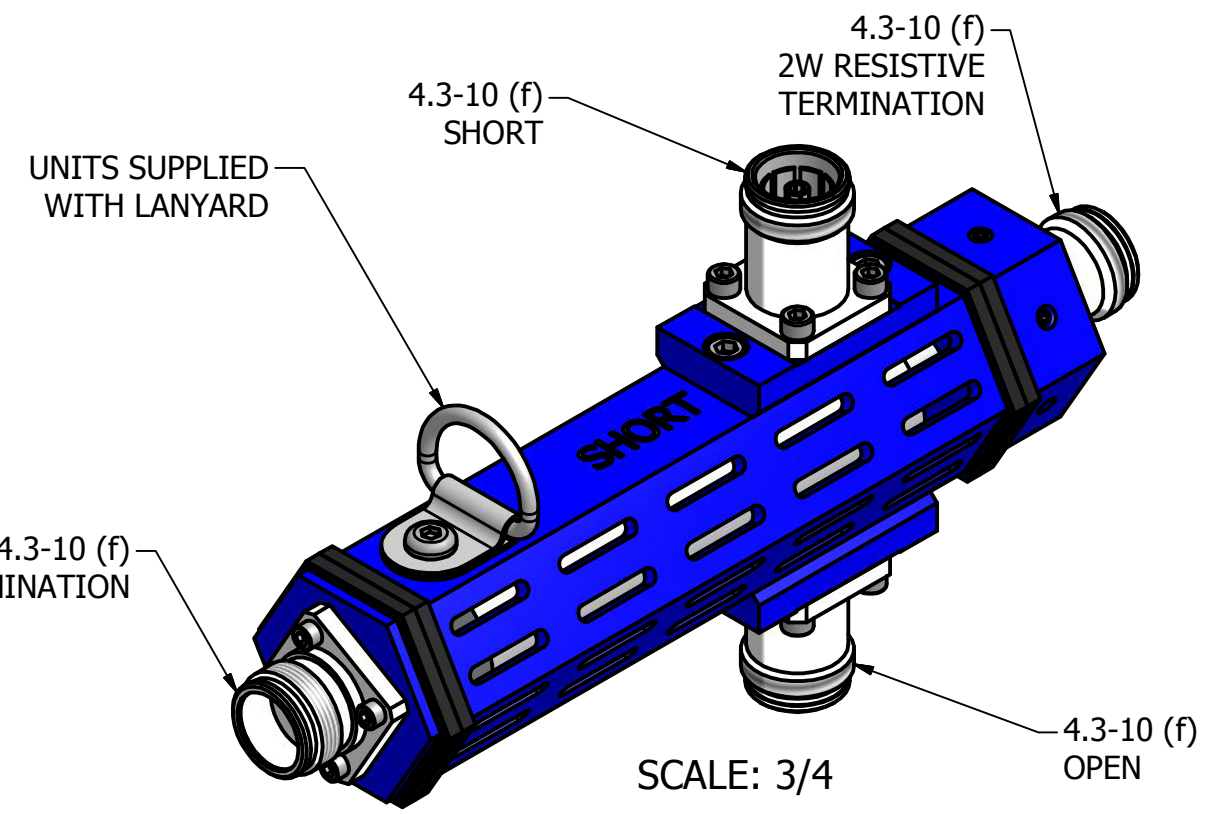
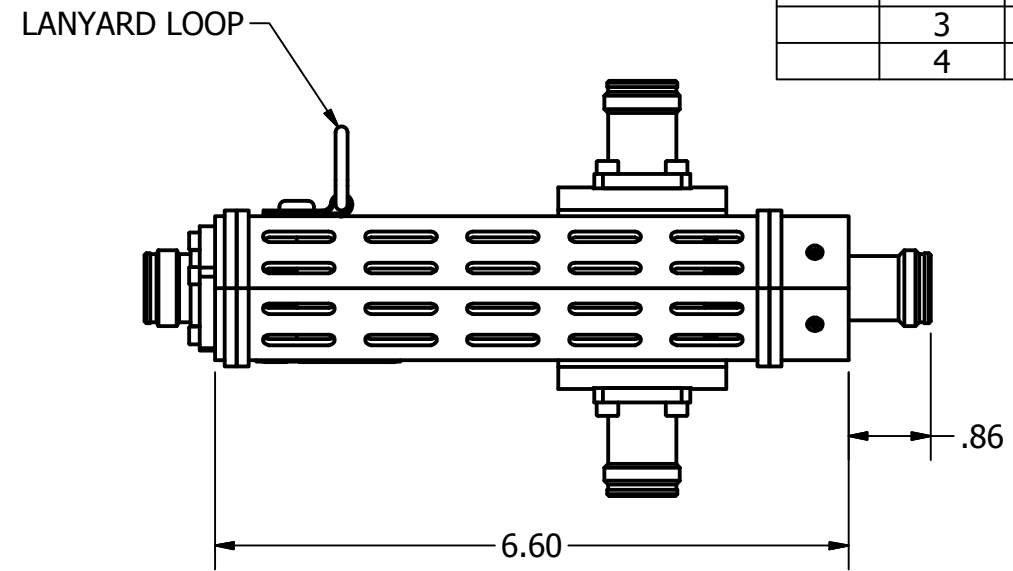
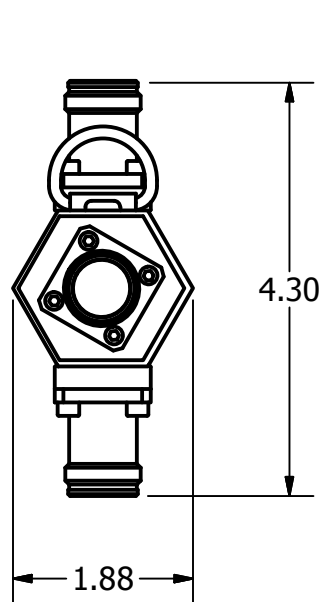


REVISION HISTORY				
ZONE	REV	DESCRIPTION	DATE	APPROVED
	0	PRELIMINARY	01-23-2015	AK
	1	CREATED OUTLINE DRAWING	10/10/2017	DM
	2	UPDATED SPECS	10/31/2017	DM
	3	ADDED CONNECTOR NOTE	11/8/2017	DM
	4	REVISED RETURN LOSS	12/1/2017	DM



SPECIFICATION:

LOW PIM TERMINATION

FREQUENCY: 698-2700 MHz
 RETURN LOSS: 22 dB TYPICAL
 19 dB AT 698-900 MHz
 22 dB AT 901-2700 MHz

PIM: 160 dBc
 POWER: 40W AVG.
 CONNECTOR: 4.3-10 (f)
 FINISH: BLUE ANODIZED

SHORT

ED = 214.4 pS
 PHASE = 180 ± 4 DEG.
 r = ± 0.1 dB

OPEN

ED=224.8 pS
 PHASE 0 ± 4 DEG.
 r = 0 ± 0.1 dB

2W RESISTIVE TERMINATION

FREQUENCY: DC - 400-2700 MHz
 IMPEDANCE: 50 OHMS
 VSWR: 1.07:1 MAX
 POWER: 2 WATTS @ 25°C

CONNECTORS:

OSL (OPEN, SHORT, LOAD) 4.3-10 FEMALE
 PIM LOAD: 4.3-10 FEMALE
 NOTE: ANY COMBINATION OF MALE OR FEMALE
 7-16 DIN AND 4.3-10 ARE AVAILABLE
 UPON REQUEST

HOLE TOLERANCE: X.XXX ±.003
 LENGTH TOLERANCE: X.XXX ±.010
 LENGTH TOLERANCE: X.XX ±.030
 THREADS SPECIFICATION AFTER PLATING
 PROPERTY OF R&D MICROWAVES LLC

DRAWN mclaughlind	10/10/2017		R&D Microwaves LLC, USA	
CHECKED			TITLE	
QA		CK-A09, 4.3-10 (f) CALIBRATION KIT WITH LOW PIM TERMINATION		
MFG		SIZE B	DWG NO CK-A09-0Lrev4	REV 4
APPROVED		SCALE 1/2	SHEET 1 OF 1	