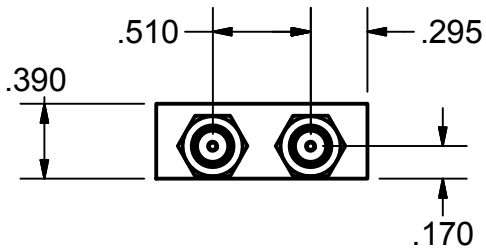
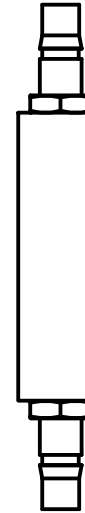
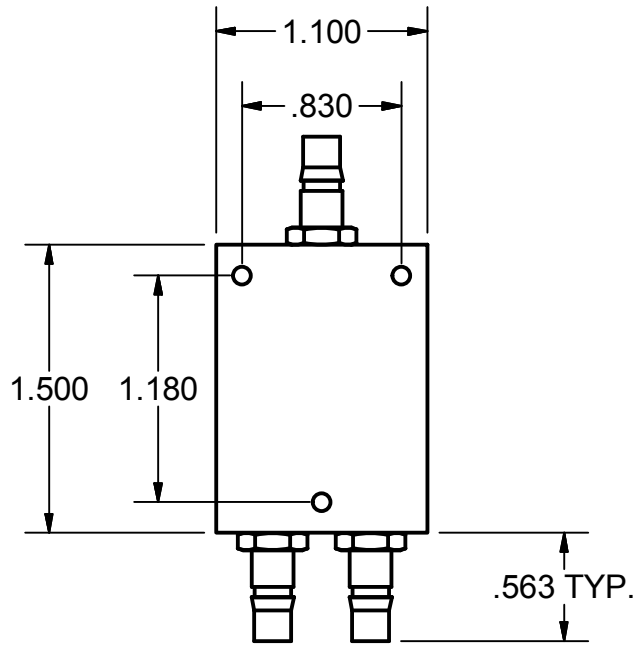



REVISION HISTORY				
ZONE	REV	DESCRIPTION	DATE	APPROVED
	1	ENGINEERING RELEASE	1-11-2013	Ernest W



**SPECIFICATION:**

IMPEDANCE: 50 OHMS  
 FREQUENCY RANGE: 0.698 TO 2.7 GHz  
 NUMBER OF OUTPUT PORTS: 2  
 MINIMUM ISOLATION: 20 dB  
 MINIMUM VSWR: 1.3:1  
 MAXIMUM INSERTION LOSS: 0.4 dB

DRAWN Ernest Werbel	1/10/2013	 R&D Microwaves LLC, USA
CHECKED		
QA		TITLE
MFG		2-WAY POWER DIVIDER, QMA(f), 0.698-2.700 GHz
APPROVED		SIZE A
		DWG NO
		D2-A52Qrev1
		REV
		1
		SCALE
		SHEET 1 OF 1