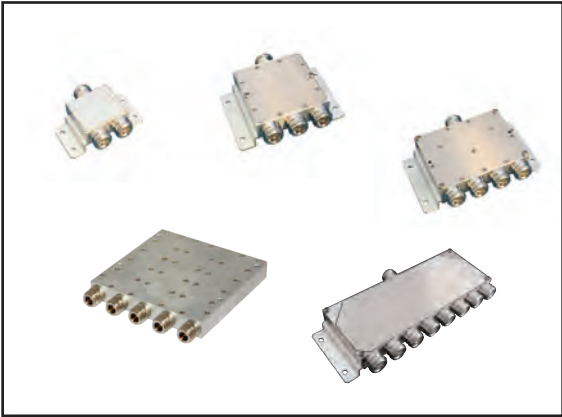


2, 3, 4, and 8 way Type N, 4.3-10, SMA/QMA, 4.1-9.5, Low Power Wilkinson Type Isolated Power Dividers

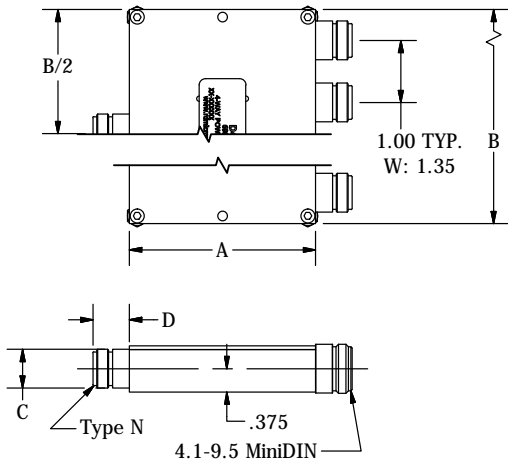
Common Specifications	
Frequency Range:	698 - 2700 MHz (D4-A20XX=380-2900 MHz)
Max Input Power, as a divider:	30 Watts
Temperature:	-20 to +70 °C
Finish:	Triplate Connectors, Clear Iridite Body
Environment:	IP65 (SPECIAL ORDER)

Series	A	B	W	X	Y	Z
D2-A05X	1.75	2.00	1.00	1.75	3.58	3.08
D2-A05W	1.75	2.35	1.00	1.75	3.93	3.43
D2-A48	1.75	2.00	1.00	1.75	3.58	3.08
D3-A24X	3.00	3.00	2.00	3.00	4.58	4.08
D3-A24W	3.00	3.66	2.50	3.00	5.24	4.74
D4-A05X	3.00	4.00	2.00	3.00	5.58	5.08
D4-A20*	4.61	4.72	2.00	3.00	6.72	6.22
D8-A05X	3.00	8.00	2.00	3.00	9.58	9.08



R&D Microwaves 2, 3, 4, and 8 way Power Dividers are designed to evenly split high power cellular signals with minimal reflections or loss. Rugged construction and excellent performance from 698-2700 MHz makes it ideal for in-building systems.

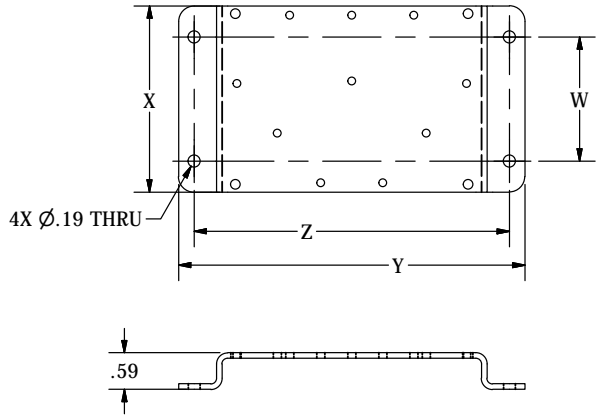
TOLERANCE: X.XX ± .030
X.XXX ± .010



Connector	Type N	4.1-9.5	4.3-10.0	SMA***	QMA***
C	0.625	0.783	0.783	0.315	0.315
D	0.587	0.587	0.819	0.374	0.563

Now Available with Type N, 7-16 DIN, 4.1-9.5,
4.3-10.0, SMA, & QMA Connectors

Mounting Bracket included with all models



Typical Outline, *Note: D4-A20 has all connectors on one side for panel mounting **Made in USA.**

Model				Type	No. Outputs	Freq. (MHz)	Reverse Power (mW)	VSWR		Insertion** Loss (dB)	Loss Due to Division (dB)	Minimum Isolation (dB)
Type N	4.1-9.5	4.3-10.0	SMA/QMA					Input	Output			
D2-A05	D2-A05D41	D2-A05D43W	D2-A05S/Q	1 x 2	2	617-698	400	1.30:1	1.20:1	0.3	3.0	21
						698-2700		1.20:1	1.20:1	0.5		22
D2-A48A	D2-A48D41	N/A	N/A	1 x 2	2	698-2700	1000	1.25:1	1.20:1	0.5	3.0	22
						698-2200		1.35:1	1.30:1	0.45		20
D3-A24N	D3-A24D41	D3-A24D43W	D3-A24S/Q	1 x 3	3	2200-2700	400	1.50:1	1.30:1	0.7	4.8	17
						698-2700		1.30:1	1.30:1	1.4		20
D4-A05N	D4-A05D41	D4-A05D43	D4-A05S/Q	1 x 4	4	698-2700	1000	1.30:1	1.30:1	1.4	6.0	20
D4-A20*	D4-A20D41*	N/A	N/A	1 x 4	4	380-2900	1750	1.30:1	1.30:1	1.4	6.0	20
D8-A05N	D8-A05D41	D8-A05D43	D8-A05S/Q	1 x 8	8	698-2700	1000	1.40:1	1.30:1	1.4	9.0	20

**Add Loss Due to Division for Total Path Loss
***SMA/QMA connector not shown in outline, contact Sales for up-to-date outline



R&D Microwaves LLC, 301 Rockaway Valley Road, Boonton, NJ 07005 USA
Tel. 908.212.1696 www.rdmicrowaves.com
email: sales@rdmicrowaves.com

