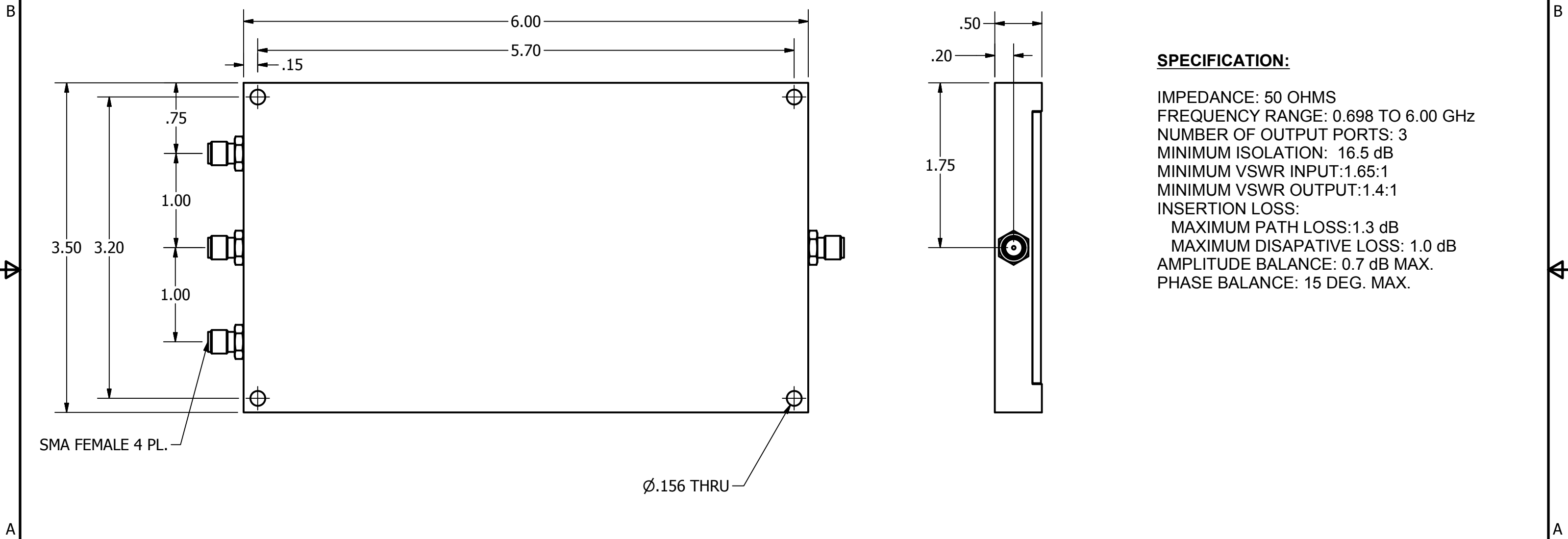


REVISION HISTORY				
ZONE	REV	DESCRIPTION	DATE	APPROVED
	2	ENGINEERING RELEASE	8/5/14	TB
	3	PRODUCTION RELEASE	8/21/2014	TB
	4	DCN 140016	9/2/2014	TB
	5	REMOVED LABEL	9/9/2014	Carl S




SPECIFICATION:

IMPEDANCE: 50 OHMS
 FREQUENCY RANGE: 0.698 TO 6.00 GHz
 NUMBER OF OUTPUT PORTS: 3
 MINIMUM ISOLATION: 16.5 dB
 MINIMUM VSWR INPUT: 1.65:1
 MINIMUM VSWR OUTPUT: 1.4:1
 INSERTION LOSS:
 MAXIMUM PATH LOSS: 1.3 dB
 MAXIMUM DISAPATIVE LOSS: 1.0 dB
 AMPLITUDE BALANCE: 0.7 dB MAX.
 PHASE BALANCE: 15 DEG. MAX.

SMA FEMALE 4 PL.

Ø.156 THRU

HOLE TOLERANCE: X.XXX ±.001
 LENGTH TOLERANCE: X.XXX ±.01
 LENGTH TOLERANCE: X.XX ±.03
 THREADS SPECIFICATION AFTER PLATING
 PROPERTY OF R&D MICROWAVES LLC

DRAWN ThomasB	8/5/2014	 R&D Microwaves LLC, USA
CHECKED		
QA		TITLE
MFG		SMA FEMALE POWER DIVIDER, 3 WAY, FREQUENCY RANGE 698 TO 6000 MHz
APPROVED		SIZE
		B
		DWG NO
		D3-A25Srev5
		REV
		5
		SCALE
		SHEET 1 OF 1