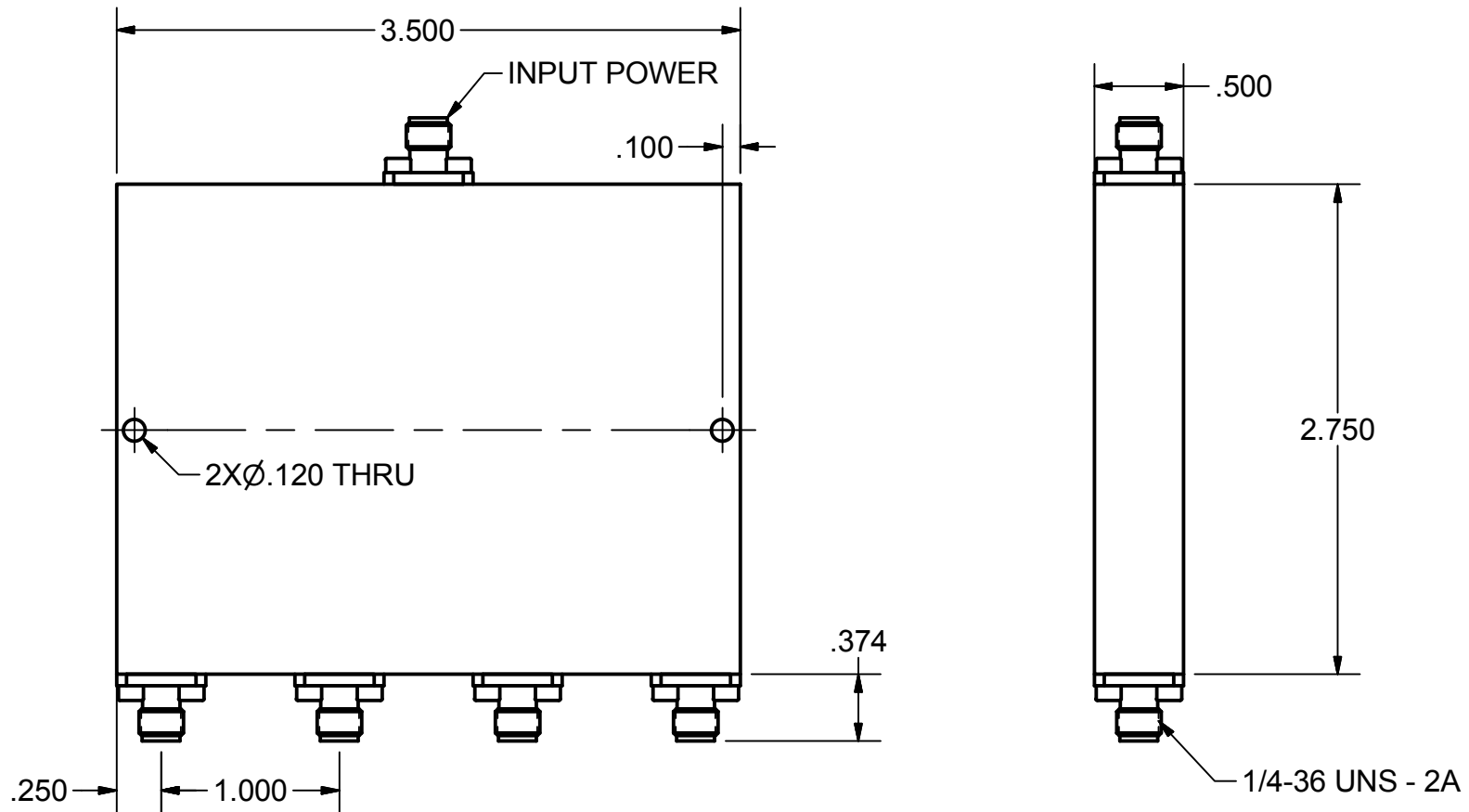



REVISION HISTORY				
ZONE	REV	DESCRIPTION	DATE	APPROVED
	2	EDITED POWER SPEC	02-24-2015	AK



R&D MICROWAVES LLC PROPRIETARY INFORMATION

SPECIFICATION:

FREQUENCY RANGE: 2 TO 8 GHz
 NUMBER OF OUTPUT PORTS: 4
 MINIMUM ISOLATION: 18 dB
 MINIMUM VSWR: 1.5
 MAXIMUM INSERTION LOSS: 1.0 dB
 INPUT POWER: 30 Watts MAX

DRAWN MarekA	8/24/2010	 R&D Microwaves LLC, USA
CHECKED Carl S		
QA		TITLE
MFG MA		SMA FEMALE POWER DIVIDER, 2 TO 8 GHz, 4 OUTPUT PORTS
APPROVED MA		SIZE A
		DWG NO D4-A22rev2
		REV 2
		SCALE
		SHEET 1 OF 1