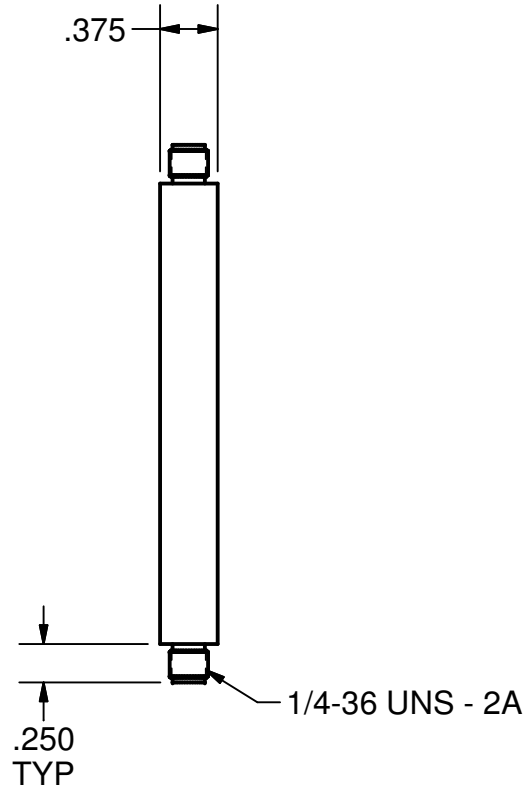
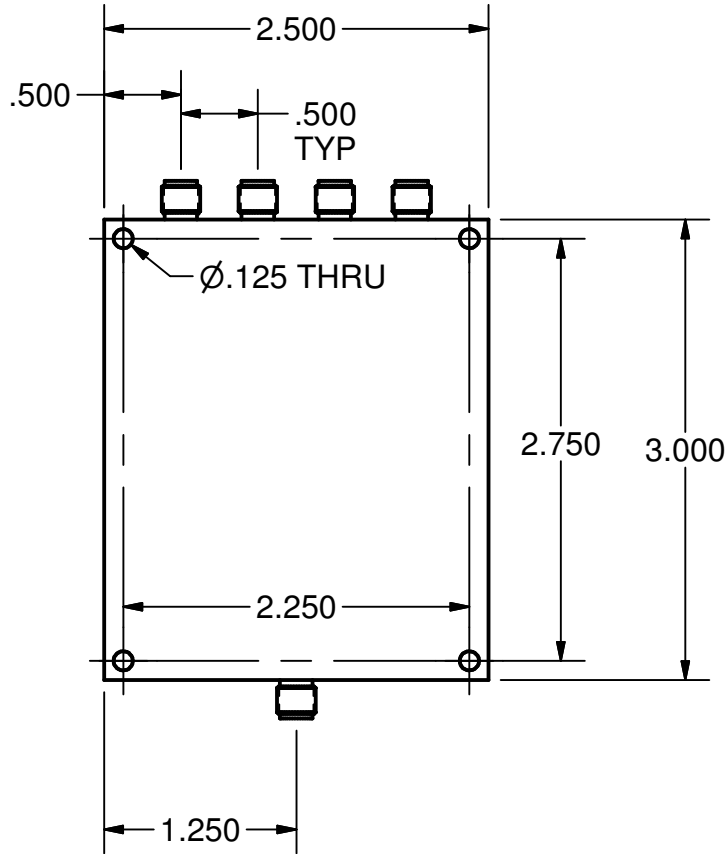



REVISION HISTORY				
ZONE	REV	DESCRIPTION	DATE	APPROVED
	1	ENGINEERING RELEASE	02-27-2012	Marek A



R&D MICROWAVES LLC PROPRIETARY INFORMATION

**SPECIFICATION:**

FREQUENCY RANGE: 0.5 TO 1 GHz  
 NUMBER OF OUTPUT PORTS: 4  
 MINIMUM ISOLATION: 20 dB  
 MINIMUM VSWR: 1.30  
 MAXIMUM INSERTION LOSS: .40 dB

DRAWN MarekA	8/24/2010	 R&D Microwaves LLC, USA
CHECKED		
QA		TITLE
MFG		SMA FEMALE POWER DIVIDER, FREQUENCY RANGE .5 TO 1 GHz, 4 OUTPUT PORTS
APPROVED		SIZE
		A
		DWG NO
		D4-A35rev1
		REV
		1
		SCALE
		SHEET 1 OF 1