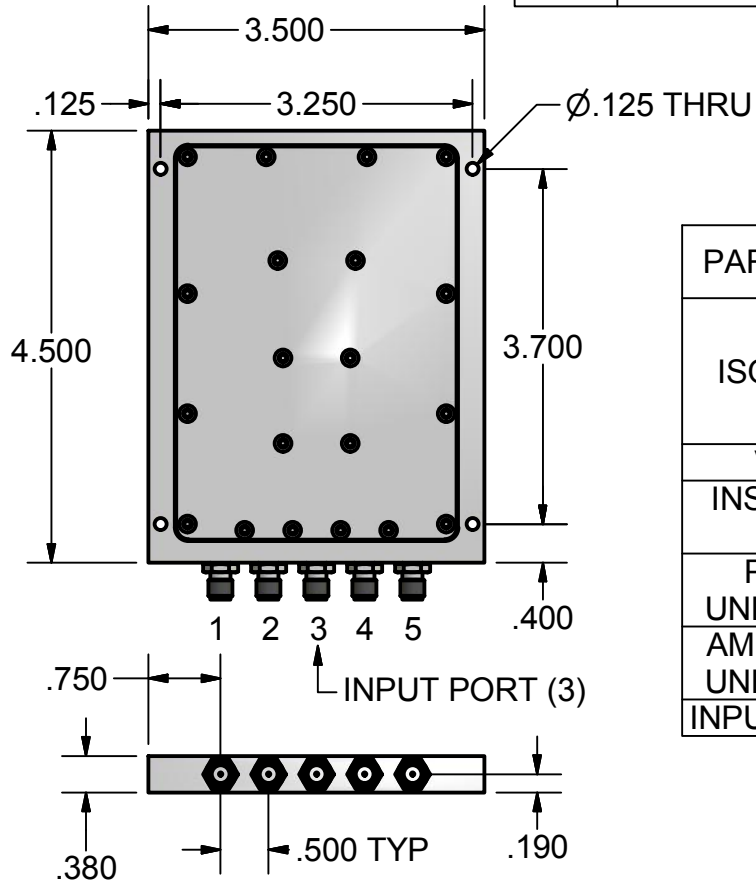


REVISION HISTORY				
ZONE	REV	DESCRIPTION	DATE	APPROVED
	3	ADDED INPUT POWER	02-24-2015	AK
	4	REORGANISED SPECIFICATIONS TO INCLUDE TYPICAL.	6/16/2015	TOM B.




PARAMETER	SPECIFICATION 2.4-2.5 GHz	Typical 2.4-2.5 GHz	SPECIFICATION 4.9-5.9 GHz	Typical 2.4-2.5 GHz
ISOLATION	25 dB MIN	29 dB	25 dB MIN	27 dB Band Edges, >30 dB body of band.
VSWR	1.3:1 MAX	1.15:1	1.3:1 MAX	1.25:1
INSERTION LOSS.	0.7 dB MAX	0.3 dB	1.1 dB MAX	0.65 dB
PHASE UNBALANCE	5 DEG. MAX	1 DEG.	5 DEG. MAX	1.8 DEG.
AMPLITUDE UNBALANCE	0.4 dB MAX	0.03 dB	0.4 dB MAX	0.1 dB
INPUT POWER	30 W MAX.		30 W MAX.	

R&D MICROWAVES LLC PROPRIETARY INFORMATION

**COAXIAL CONNECTORS**

INPUT PORT	3
PORT1	1
PORT2	2
PORT3	4
PORT4	5

DRAWN MarekA	8/24/2010	 R&D Microwaves LLC, USA		
CHECKED				
QA		TITLE		
MFG		SMA(f) POWER DIVIDER, FREQUENCY RANGE 2 TO 6 GHz, 4 OUTPUT PORTS		
APPROVED		SIZE	DWG NO	REV
		A	D4-A61rev4	4
		SCALE	SHEET 1 OF 1	