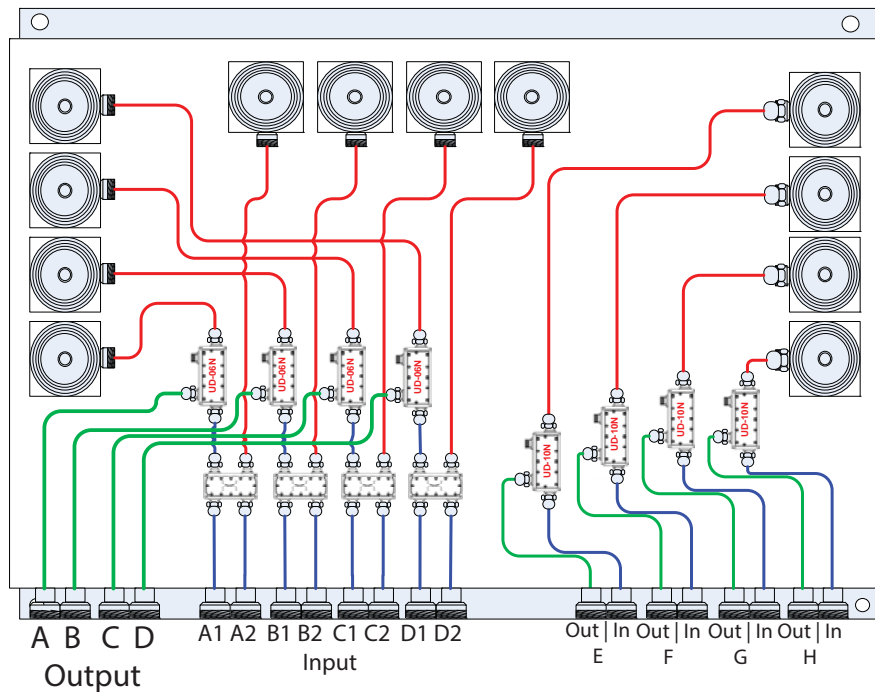
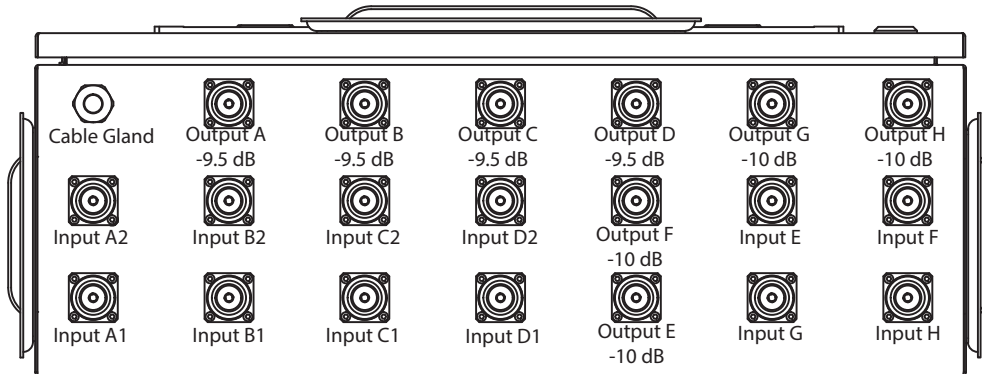


DAS-A38 Specification	
Frequency:	698 - 2700 MHz
Isolation @ 1900 MHz:	20 dB MIN
Return Loss @ 1900 MHz:	20 dB MIN
Passive Intermodulation:	< -155 dBc
Power:	60 Watts (each Port)

Connector Layout						
Channel A	Input:	A1 A2	Output:	A	Insertion Loss:	-9.5 +/- .8 dB
Channel B	Input:	B1 B2	Output:	B	Insertion Loss:	-9.5 +/- .8 dB
Channel C	Input:	C1 C2	Output:	C	Insertion Loss:	-9.5 +/- .8 dB
Channel D	Input:	D1 D2	Output:	D	Insertion Loss:	-9.5 +/- .8 dB
Channel E	Input:	E	Output:	E	Ins. Loss:	-10+1.4/-8dB
Channel F	Input:	F	Output:	F	Ins. Loss:	-10+1.4/-8dB
Channel G	Input:	G	Output:	G	Ins. Loss:	-10+1.4/-8dB
Channel H	Input:	H	Output:	H	Ins. Loss:	-10+1.4/-8dB



R&D Microwaves LLC, 301 Rockaway Valley Road, Boonton, NJ 07005 USA
 Tel. 908.212.1696 www.rdmicrowaves.com
 email: sales@rdmicrowaves.com

Rev 1.0
 10/21/14

