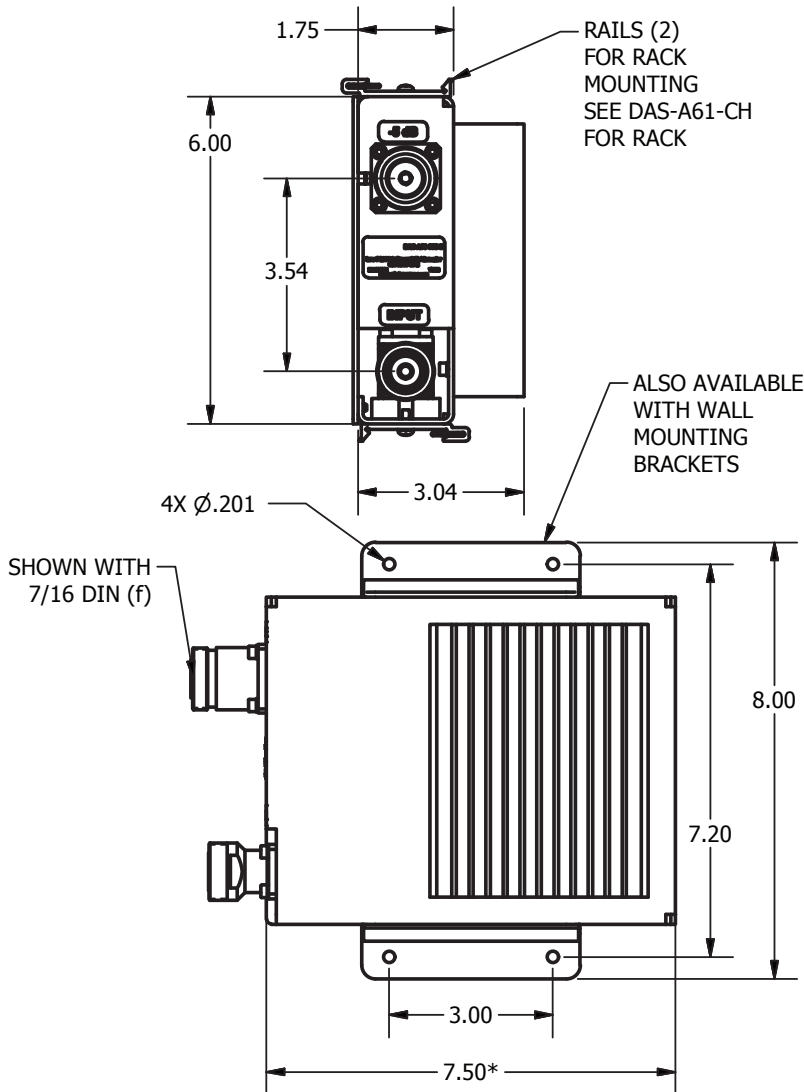
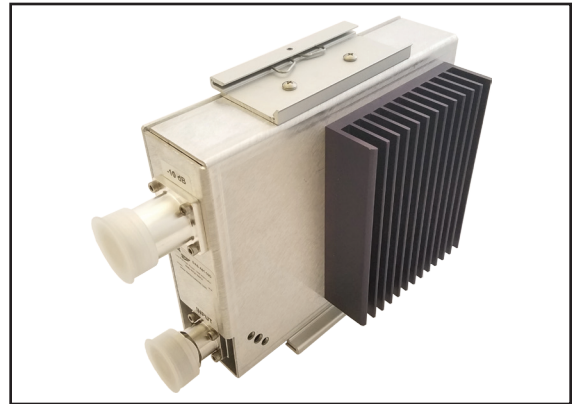




High Power Low PIM Attenuator

DAS-A61-XX, DAS-A61 Attenuator Module

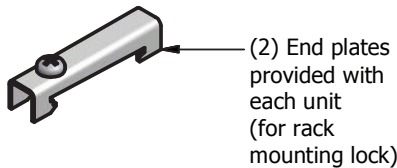
Model	DAS-A61-XX
Frequency Range:	698-960, 1695-2700 MHz
Input Power:	100 Watts Avg.
Port 2 VSWR:	*Not Specified
Passive Intermodulation:	> 160 dBc, 3rd Order 2x 43dBm/tone at Input port
Attenuation:	Value Per Chart



Typical Part Number		
DAS-A61-10XXX Attenuation Connector ID	Connector:	Connector ID:
	7-16 DIN	D
	4.3-10.0 MINIDIN	D43

	ATTENUATION (dB):		INPUT PORT 1 VSWR MAX:
	698-960 MHz	1695-2700 MHz	
DAS-A61-3*:	3 ± 0.7		*1.20:1
DAS-A61-5:	5 ± 0.6	4.9 ± 0.7	1.30:1
DAS-A61-6:	6.4 ± 0.5	6.3 ± 0.7	1.30:1
DAS-A61-7:	7.2 ± 0.4	7.2 ± 0.8	1.30:1
DAS-A61-8:	8 ± 0.5	7.7 ± 0.6	1.30:1
DAS-A61-9:	9 ± 0.4	9.3 ± 0.7	1.25:1
DAS-A61-10:	10.1 ± 0.5	10.4 ± 0.8	1.25:1
DAS-A61-11:	11.2 ± 0.4	11.4 ± 0.8	1.20:1
DAS-A61-12:	12.1 ± 0.4	12.4 ± 0.8	1.20:1
DAS-A61-13:	13 ± 0.4	13.3 ± 0.7	1.20:1
DAS-A61-14:	13.8 ± 0.4	14.1 ± 0.7	1.25:1
DAS-A61-15:	14.9 ± 0.4	15.5 ± 1	1.20:1
DAS-A61-16:	15.7 ± 0.4	16.5 ± 1.1	1.20:1
DAS-A61-17:	17 ± 1	17 ± 1	1.25:1
DAS-A61-18:	18 ± 1	18 ± 1	1.25:1
DAS-A61-20:	20.2 ± 0.7	20.9 ± 1.3	1.20:1
DAS-A61-22:	22 ± 1	22 ± 1	1.30:1
DAS-A61-25:	25 ± 1.1	25 ± 1.3	1.30:1
DAS-A61-26:	26 ± 0.9	26 ± 1.6	1.30:1
DAS-A61-28:	28 ± 1.1	28 ± 1.6	1.30:1
DAS-A61-30:	30 ± 1.1	31 ± 1.9	1.30:1

*DAS-A61-3XX: HOUSING LENGTH IS 10"
VSWR Port 2: 1.25:1



R&D Microwaves LLC, 301 Rockaway Valley Road, Boonton, NJ 07005 USA
Tel. 908.212.1696 www.rdmicrowaves.com
email: sales@rdmicrowaves.com

Rev 1.5
9/27/17

