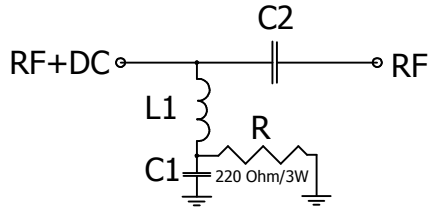
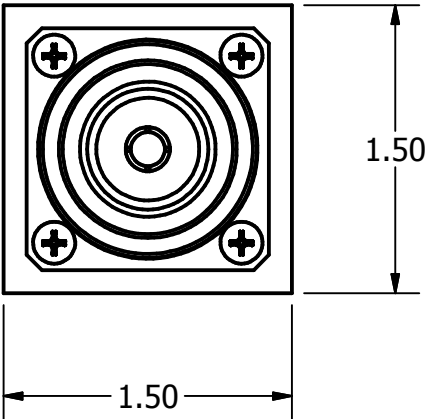
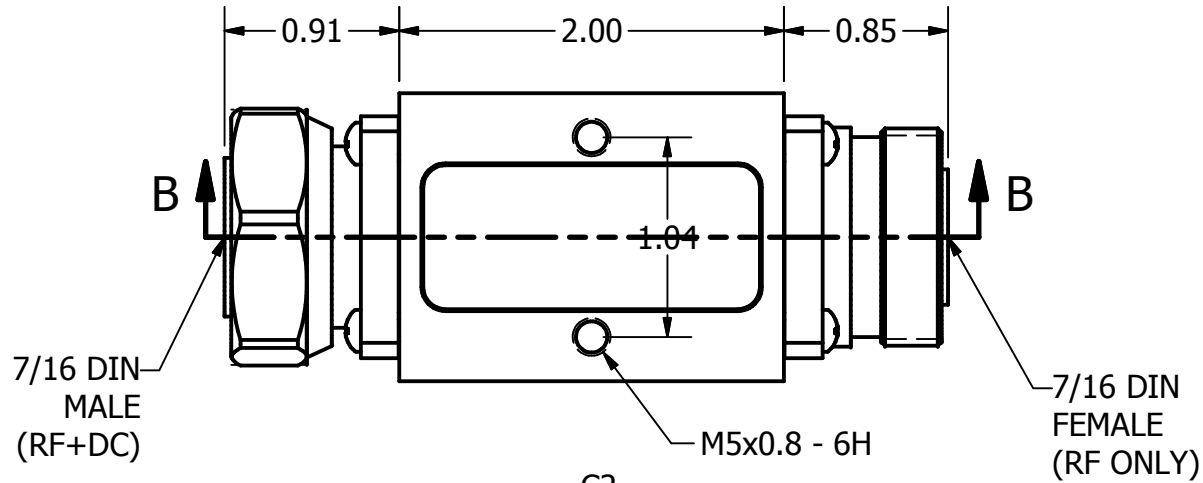


REVISION HISTORY			
REV	DESCRIPTION	DATE	APPROVED
1	PRELIMINARY	11/30/2004	Marek



DRAWN Marek	11/30/2004		
CHECKED			
QA		TITLE	
MFG		DC DEJECTOR, 220 Ohms 3W. 800-2500 MHz	
APPROVED			
		SIZE A	DWG NO DC-A06
		SCALE	REV 1
		SHEET 1 OF 1	