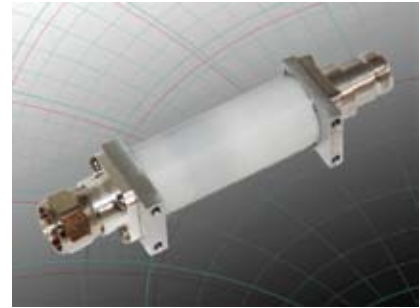




DC Blocks Inner & Outer

DC-A19 Wideband Low Loss DC Block, Inner&Outer

Model	DC -A19
Frequency range	700 - 2500 MHz
Dissipative loss, Typ.	0.3 dB
Impedance	50 Ω
VSWR J1 and J2	< 1.3 (17.7) dB MIN
Intermodulation IM3 (2 x 43 dBm carrier)	< -150 dBc
Max. power	500 W Avg, 3KW Peak (at 20 °C ambient temperature)
DC Voltage Rating	6 kV
Connectors	Type N male, female, flange with o-ring
Material: Housing Inner conductor & Connectors	Aluminum, Chromate Conversion Coating Brass, Silver Plated
DC continuity J1 ↔ J2	RF only
Profile cross-section	25.3 x 25.3 mm (1"x1")
Weight approx.	0.15 Kg (.34 lb)



Model DC-A19 DC Block covers wireless applications in the 700-2500 MHz band. Available with N female or male connectors, RF power ratings of 500 watts (6.0 kW peak) and a breakdown voltage of 6.0 kV. Insertion loss is less than 0.2 dB and RL is better than 20 dB, making it ideal for antenna line applications, eliminating unwanted DC voltages in base station and wireless installations.

