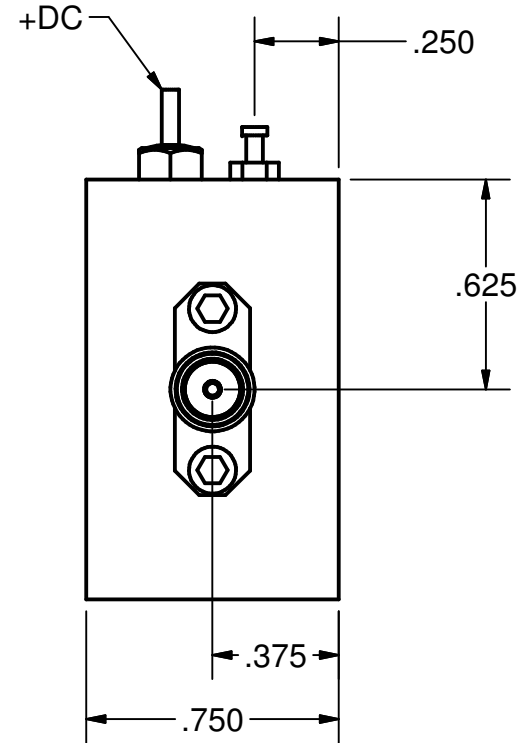
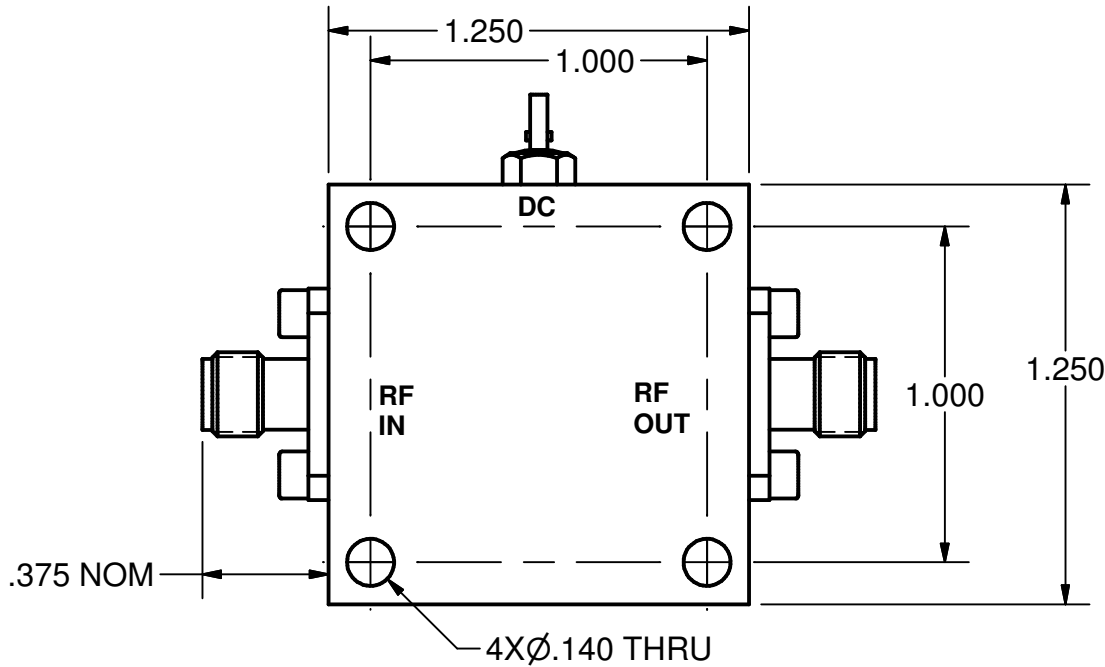



REVISION HISTORY				
ZONE	REV	DESCRIPTION	DATE	APPROVED
	1	ENGINEERING RELEASE	09-07-2012	Marek A



SPECIFICATION

FREQUENCY RANGE: 0.4 - 10.0 GHz
 VSWR: 1.5 MAX
 ISOLATION RF TO BIAS PORT: 25dB TYP
 DC VOLT: 50 V MAX
 DC CURRENT: 200 mA MAX
 BIAS CONNECTORS: SOLDER PINS

R&D MICROWAVES LLC PROPRIETARY INFORMATION

DRAWN MarekA	10/26/2010		R&D Microwaves LLC, USA	
CHECKED			TITLE	
QA		BIAS TEE, SMA FEMALE		
MFG		SIZE A	DWG NO DC-A27rev1	REV 1
APPROVED		SCALE	SHEET 1 OF 1	