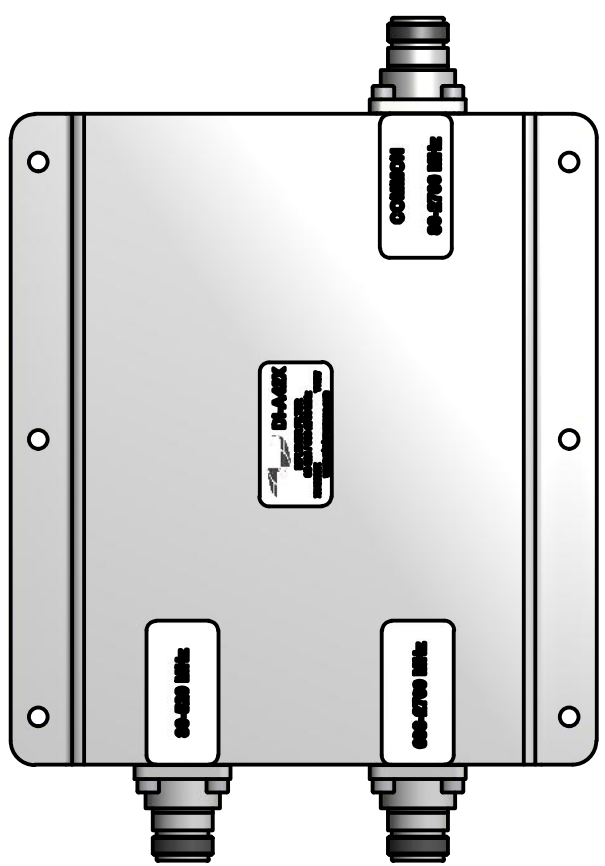
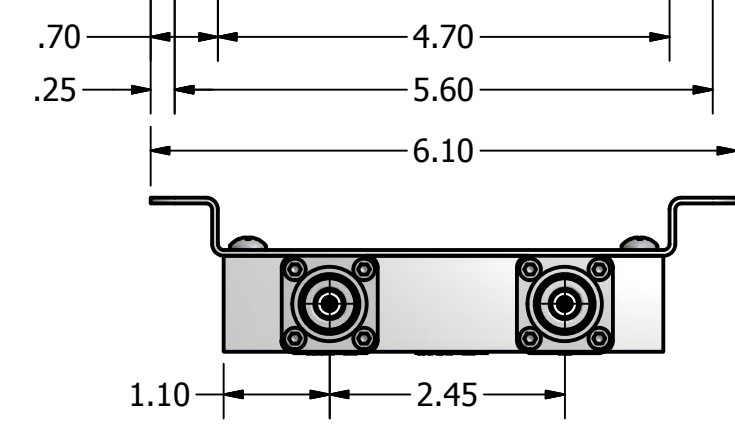
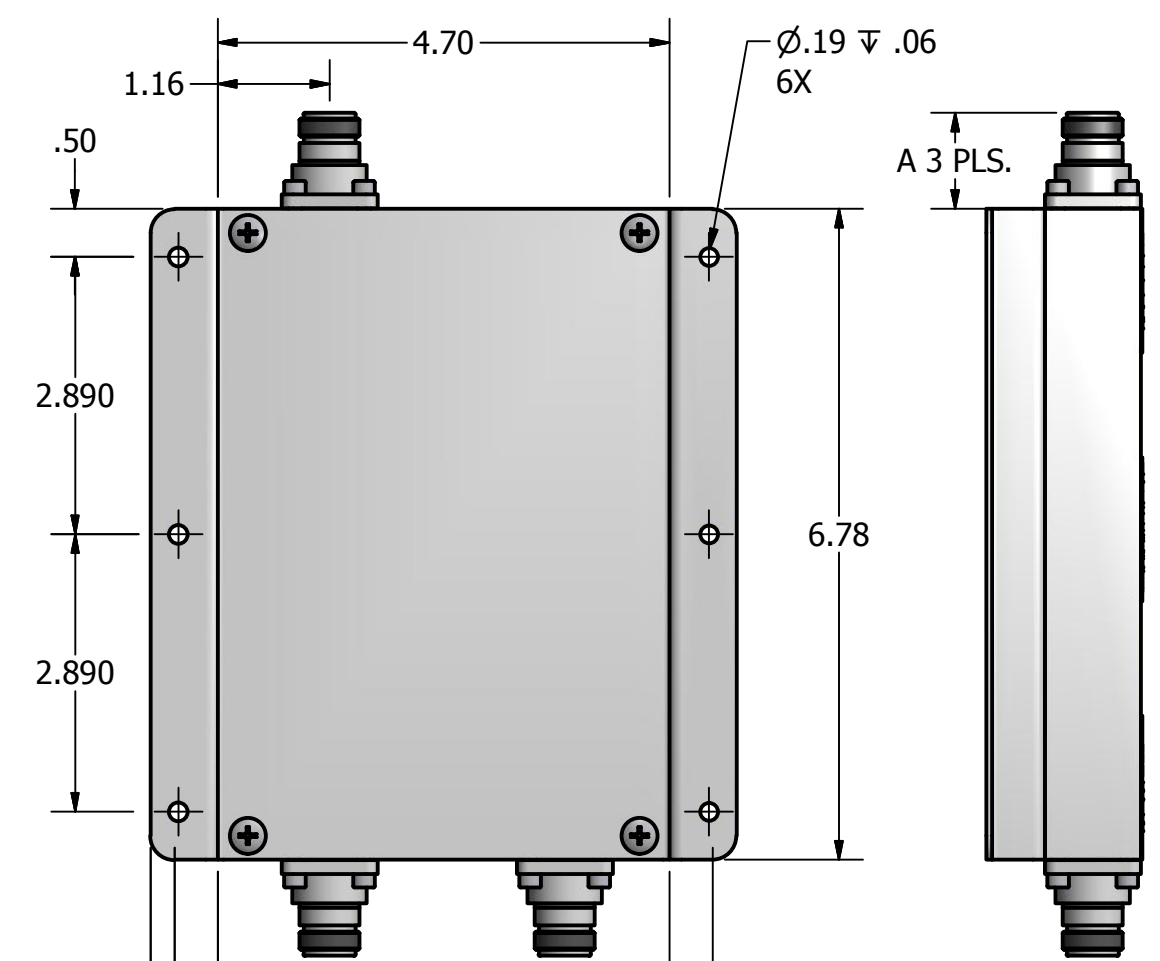
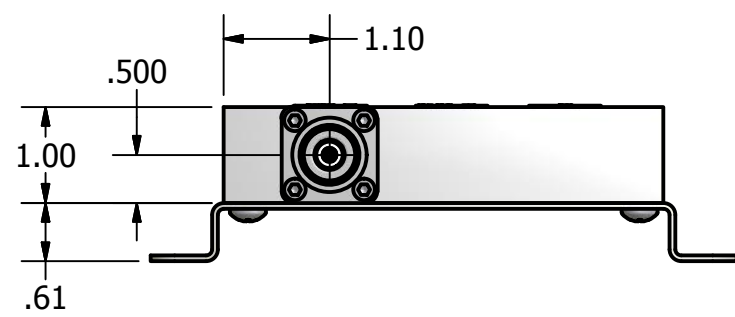


REVISION HISTORY				
ZONE	REV	DESCRIPTION	DATE	APPROVED
	1	ENGINEERING RELEASE CHANGED HIGH BAND LABEL TO 698-2700 MHz	8/31/17 10/9/17	TB TB




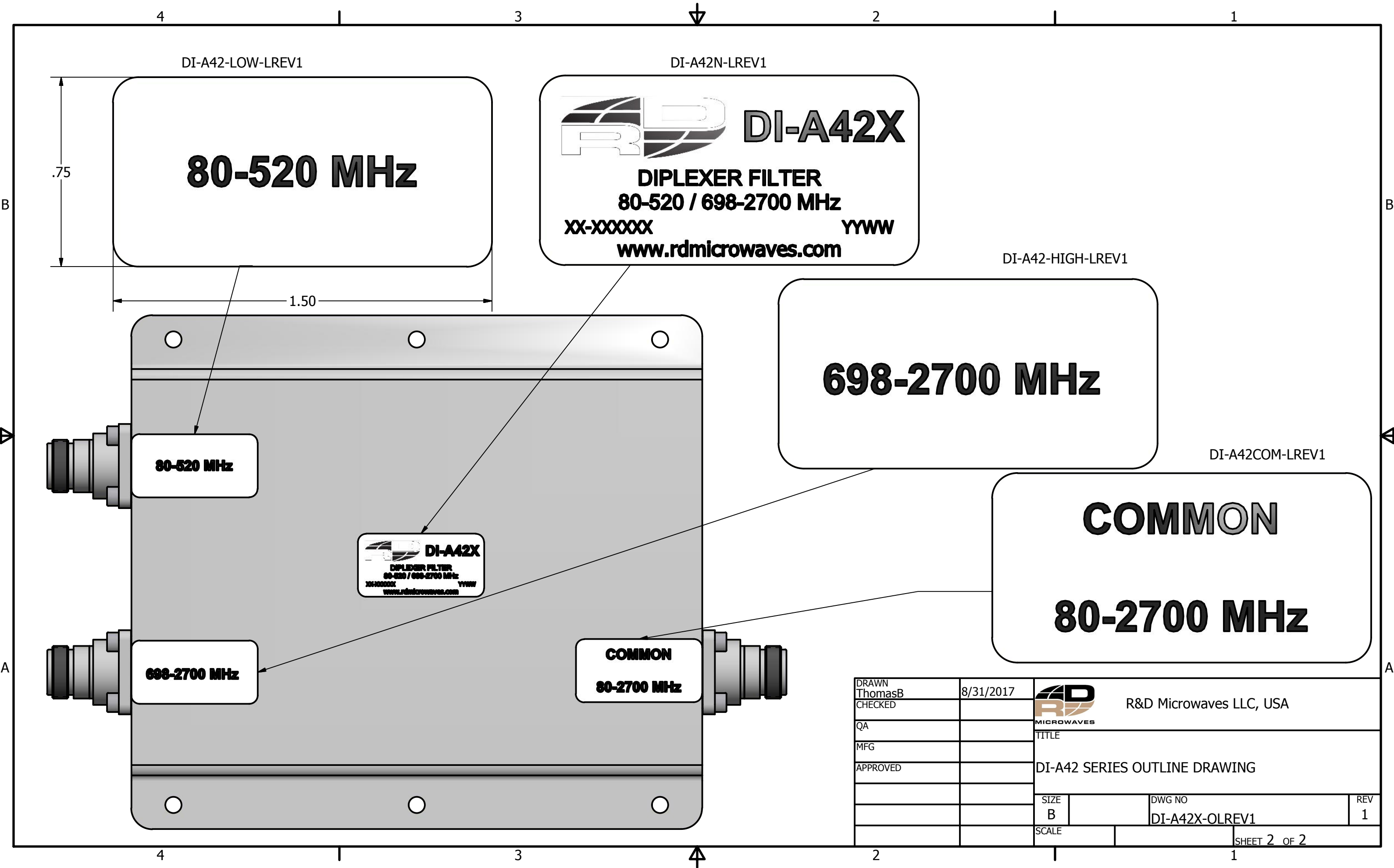
MODEL: DI-A42X

FREQUENCY RANGE:	80-520 MHz	698-2700 MHz
INPUT POWER:	50 W, 3 kW	120 W, 3 kW
PASS BAND LOSS:	<0.3dB	<0.5 dB
COMMON PORT VSWR:	<1.35:1	<1.35:1
LOW/HIGH BAND PORTS VSWR:	<1.35:1	<1.35:1
ISOLATION:	> 50 dB	> 50 dB
PASSIVE INTERMODULATION:	>-155 dBc	>-155 dBc
ENVIRONMENTAL:		IP65
FINISH & MATERIAL:	Black paint over clear Iridite Aluminum	
HOUSING:	Triplated Brass	
CONNECTORS:	7-16 DIN(f), N(f), or 4.3-10(f)	
CONNECTOR (SELECTION):	7-16 DIN(f), N(f), or 4.3-10(f)	
AMBIENT TEMP RANGE:	-35 to +60 Deg. C	

MODEL# VS. CONN TYPE		
CONN TYPE	MODEL #	A
DIN 7/16(f)	DI-A42D	1.26
N(f)	DI-A42N	1.00
4.3/10(f)	DI-A42D43	1.13

HOLE TOLERANCE: X.XXX ±.001
 LENGTH TOLERANCE: X.XXX ±.01
 LENGTH TOLERANCE: X.XX ±.03
 THREADS SPECIFICATION AFTER PLATING
 PROPERTY OF R&D MICROWAVES LLC

DRAWN ThomasB	8/31/2017	 R&D Microwaves LLC, USA
CHECKED		
QA		TITLE
MFG		DI-A42 SERIES OUTLINE DRAWING
APPROVED		SIZE B
		DWG NO
		DI-A42X-OLREV1
		SCALE
		REV 1
		SHEET 1 OF 2



DI-A42-LOW-LREV1

DI-A42N-LREV1

DI-A42-HIGH-LREV1

DI-A42COM-LREV1

80-520 MHz

R&D DI-A42X
DIPLEXER FILTER
80-520 / 698-2700 MHz
 XX-XXXXXX YYWW
 www.rdmicrowaves.com

698-2700 MHz

COMMON

80-2700 MHz

80-520 MHz

R&D DI-A42X
DIPLEXER FILTER
80-520 / 698-2700 MHz
 XX-XXXXXX YYWW
 www.rdmicrowaves.com

698-2700 MHz

COMMON
80-2700 MHz

DRAWN ThomasB	8/31/2017		R&D Microwaves LLC, USA	
CHECKED			TITLE	
QA		DI-A42 SERIES OUTLINE DRAWING		
MFG		SIZE B	DWG NO DI-A42X-OLREV1	REV 1
APPROVED		SCALE	SHEET 2 OF 2	