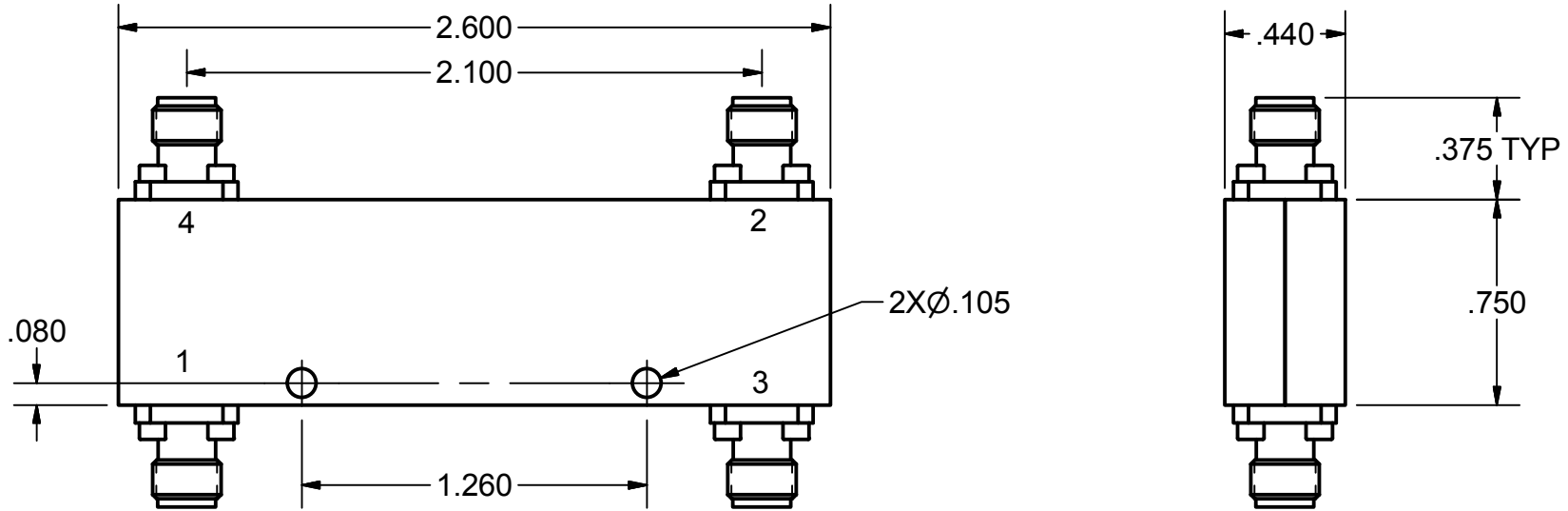


REVISION HISTORY				
ZONE	REV	DESCRIPTION	DATE	APPROVED
	1	ENGINEERING RELEASE	09-01-2011	Marek A
	2	SPELLING CORRECTIONS	08-13-2014	Carl S




PORT CONFIGURATION			
INPUT	90° OUTPUT	0° OUTPUT	ISOLATED
1	4	2	3

SPECIFICATION

FREQUENCY RANGE: 2 - 8 GHz
 COUPLING OR THRU LOSS (INCLUDES FREQUENCY SENSITIVITY): 3.3±0.8 dB
 FREQUENCY SENSITIVITY: ±0.4 dB
 ISOLATION: 17 dB MIN
 VSWR: 1.3 MAX
 AVERAGE POWER: 30W AVG
 PEAK POWER: 1 kW

R&D MICROWAVES LLC PROPRIETARY INFORMATION

DRAWN MarekA	10/26/2010	 R&D Microwaves LLC, USA
CHECKED		
QA		TITLE
MFG		SMA FEMALE 90deg HYBRID, FREQUENCY RANGE 2-8 GHz
APPROVED		SIZE A
		DWG NO HD-A59rev2
		REV 1
		SCALE
		SHEET 1 OF 1