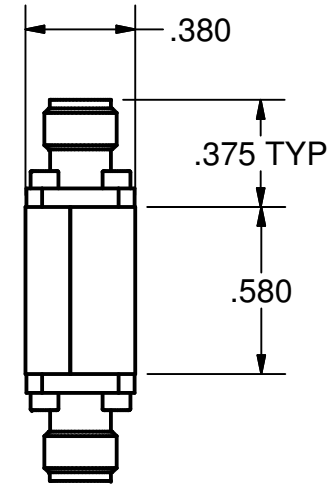
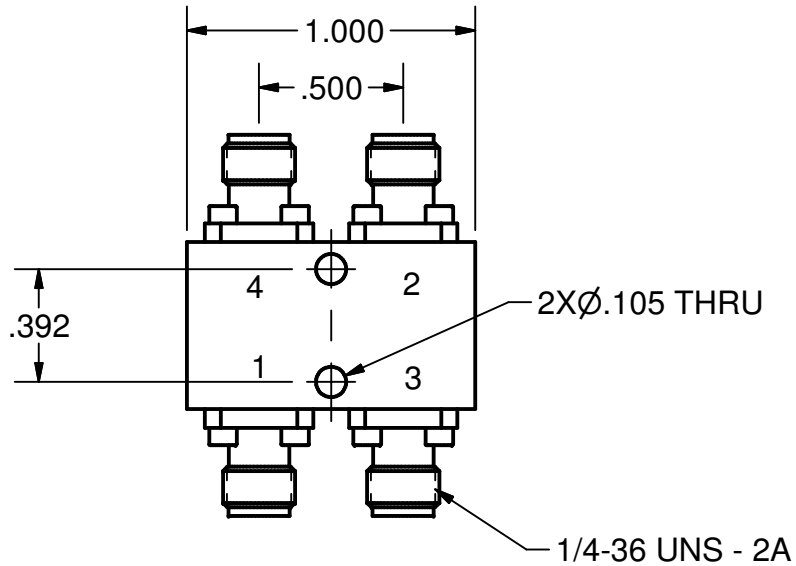


REVISION HISTORY				
ZONE	REV	DESCRIPTION	DATE	APPROVED
	1	ENGINEERING RELEASE	09-01-2011	Marek A




PORT CONFIGURATION			
INPUT	90° OUTPUT	0° OUTPUT	ISOLATED
1	4	2	3

SPECIFICATION

FREQUENCY RANGE: 12 - 18.0 GHz
 COUPLING OR THRU LOSS (INCLUDES FREQUENCY SENSIVITY): 3.4±1.00 dB
 FREQUENCY SENSITIVITY: ±0.7 dB
 ISOLATION: 15 dB MIN
 VSWR: 1.5 MAX
 AVERAGE POWER: 40W AVE
 PEAK POWER: 1 kW

R&D MICROWAVES LLC PROPRIETARY INFORMATION

DRAWN MarekA	10/26/2010		R&D Microwaves LLC, USA	
CHECKED			TITLE	
QA		SMA FEMALE 90deg HYBRID, FREQUENCY RANGE 12-18 GHz		
MFG		SIZE A	DWG NO HD-A58rev1	REV 1
APPROVED		SCALE	SHEET 1 OF 1	