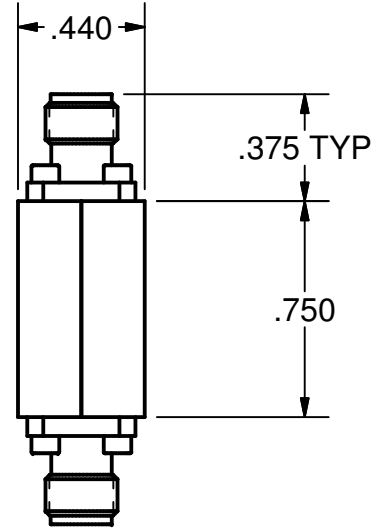
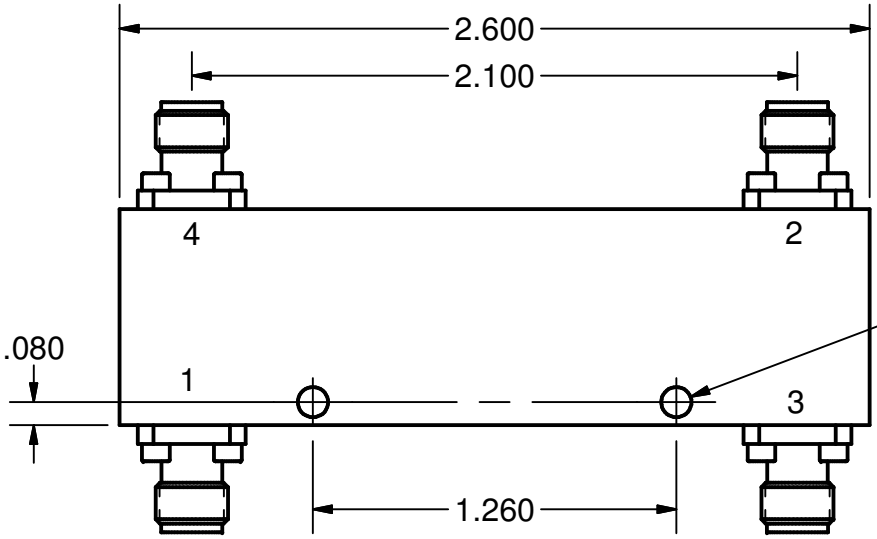


REVISION HISTORY				
ZONE	REV	DESCRIPTION	DATE	APPROVED
	1	ENGINEERING RELEASE	09-01-2011	Marek A




PORT CONFIGURATION			
INPUT	90° OUTPUT	0° OUTPUT	ISOLATED
1	4	2	3

SPECIFICATION

FREQUENCY RANGE: 2 - 8 GHz
 COUPLING OR THRU LOSS: 3.3±0.8 dB
 (INCLUDES FREQUENCY SENSIVITY): ±0.4 dB
 FREQUENCY SENSIVITY: 17 dB MIN
 ISOLATION: 1.3 MAX
 VSWR: 30W AVE
 AVERAGE POWER: 1 kW
 PEAK POWER:

R&D MICROWAVES LLC PROPRIETARY INFORMATION

DRAWN MarekA	10/26/2010	 R&D Microwaves LLC, USA
CHECKED		
QA		TITLE
MFG		SMA FEMALE 90deg HYBRID, FREQUENCY RANGE 2-8 GHz
APPROVED		SIZE A
		DWG NO HD-A59rev1
		REV 1
		SCALE
		SHEET 1 OF 1