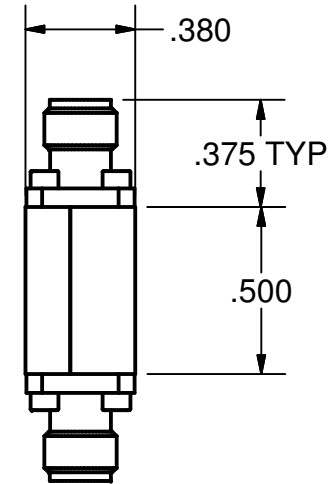
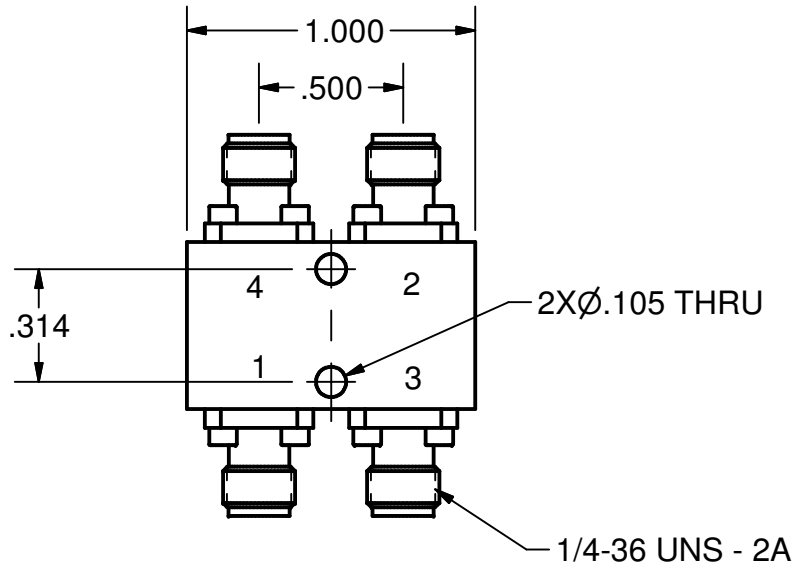


REVISION HISTORY				
ZONE	REV	DESCRIPTION	DATE	APPROVED
	1	ENGINEERING RELEASE	09-01-2011	Marek A




PORT CONFIGURATION			
INPUT	90° OUTPUT	0° OUTPUT	ISOLATED
1	4	2	3

**SPECIFICATION**

FREQUENCY RANGE: 6 - 12.4.0 GHz  
 COUPLING OR THRU LOSS (INCLUDES FREQUENCY SENSIVITY): 3.2±0.7 dB  
 FREQUENCY SENSIVITY: ±0.5 dB  
 ISOLATION: 18 dB MIN  
 VSWR: 1.35 MAX  
 AVERAGE POWER: 50W AVE  
 PEAK POWER: 3 kW

R&D MICROWAVES LLC PROPRIETARY INFORMATION

DRAWN MarekA	10/26/2010	 R&D Microwaves LLC, USA
CHECKED		
QA		TITLE
MFG		SMA FEMALE 90deg HYBRID, FREQUENCY RANGE 6-12.4 GHz
APPROVED		SIZE A
		DWG NO HD-A66rev1
		REV 1
		SCALE
		SHEET 1 OF 1