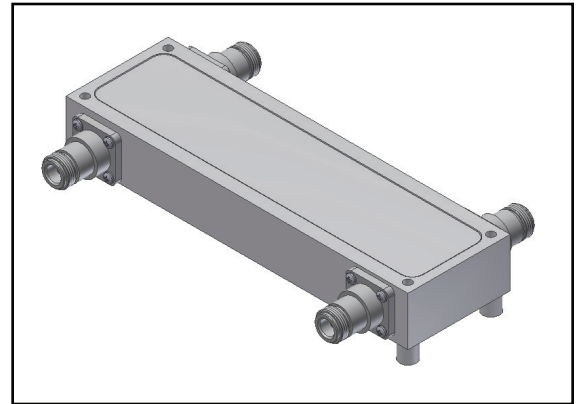


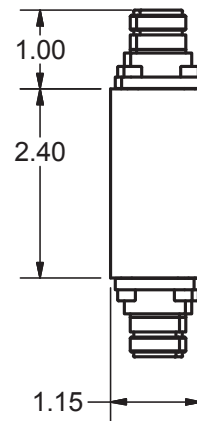
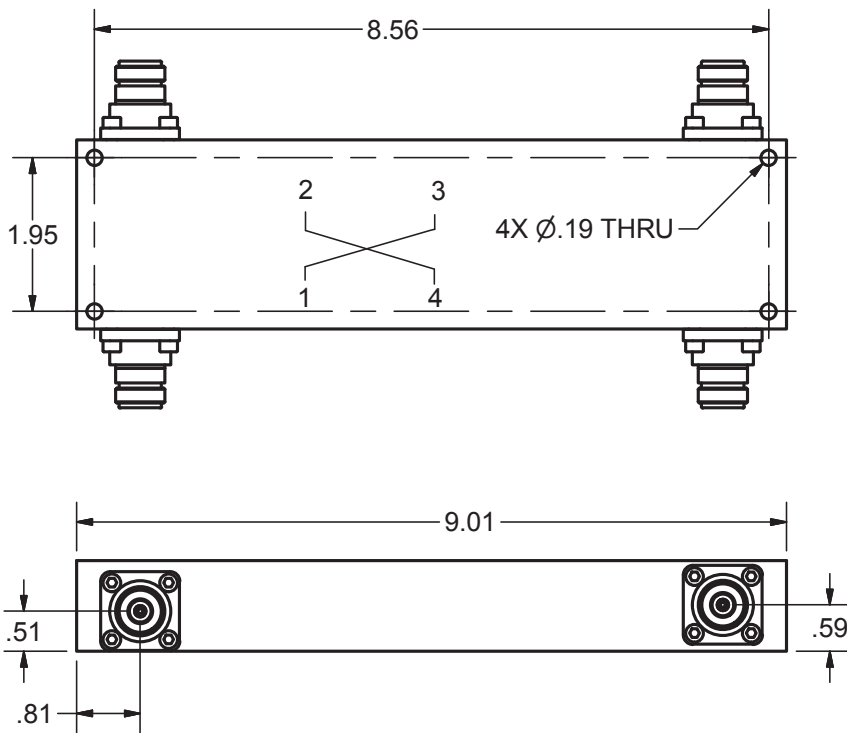
Low PIM 3dB Hybrid

HD-B82

Model	HD-B82
Frequency Range:	350-470 MHz
Coupling or Thru Loss:	3.0 ± 0.3 dB
Frequency Sensitivity:	±0.25dB
Isolation:	25dB MIN
VSWR:	1.15:1 Max (23 dB)
Average Power	500 W Avg
Peak Power:	10 kW
PIM:	160 dBc MIN



PORT CONFIGURATION			
INPUT 1	INPUT 2	OUTPUT 1 (-90°)	OUTPUT 2 (0°)
1	4	2	3



R&D Microwaves LLC, 301 Rockaway Valley Road, Boonton, NJ 07005 USA
 Tel. 908.212.1696 www.rdmicrowaves.com
 email: sales@rdmicrowaves.com

Rev 1.1
 10/05/16

