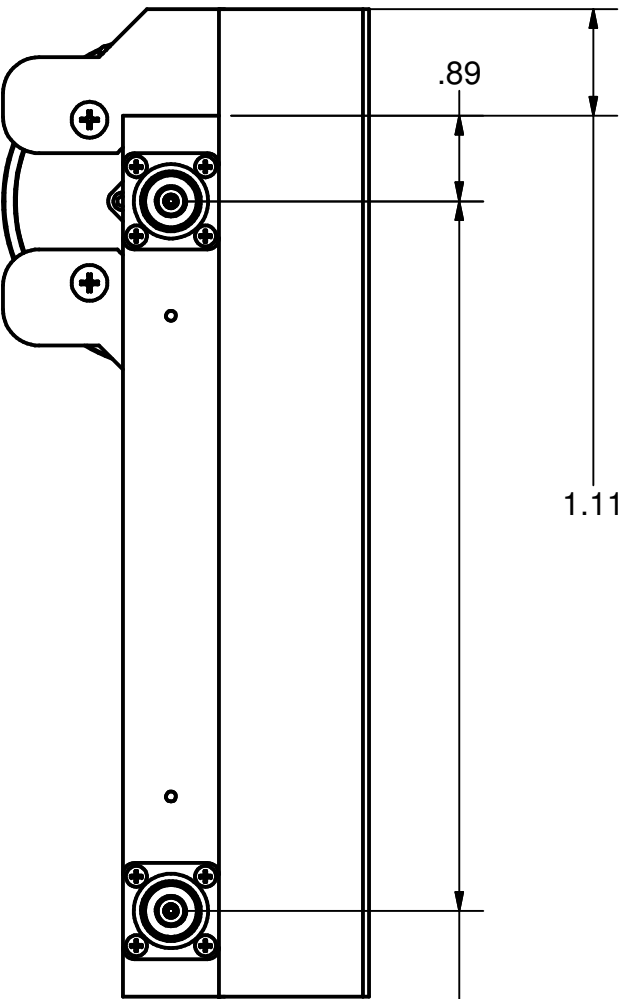
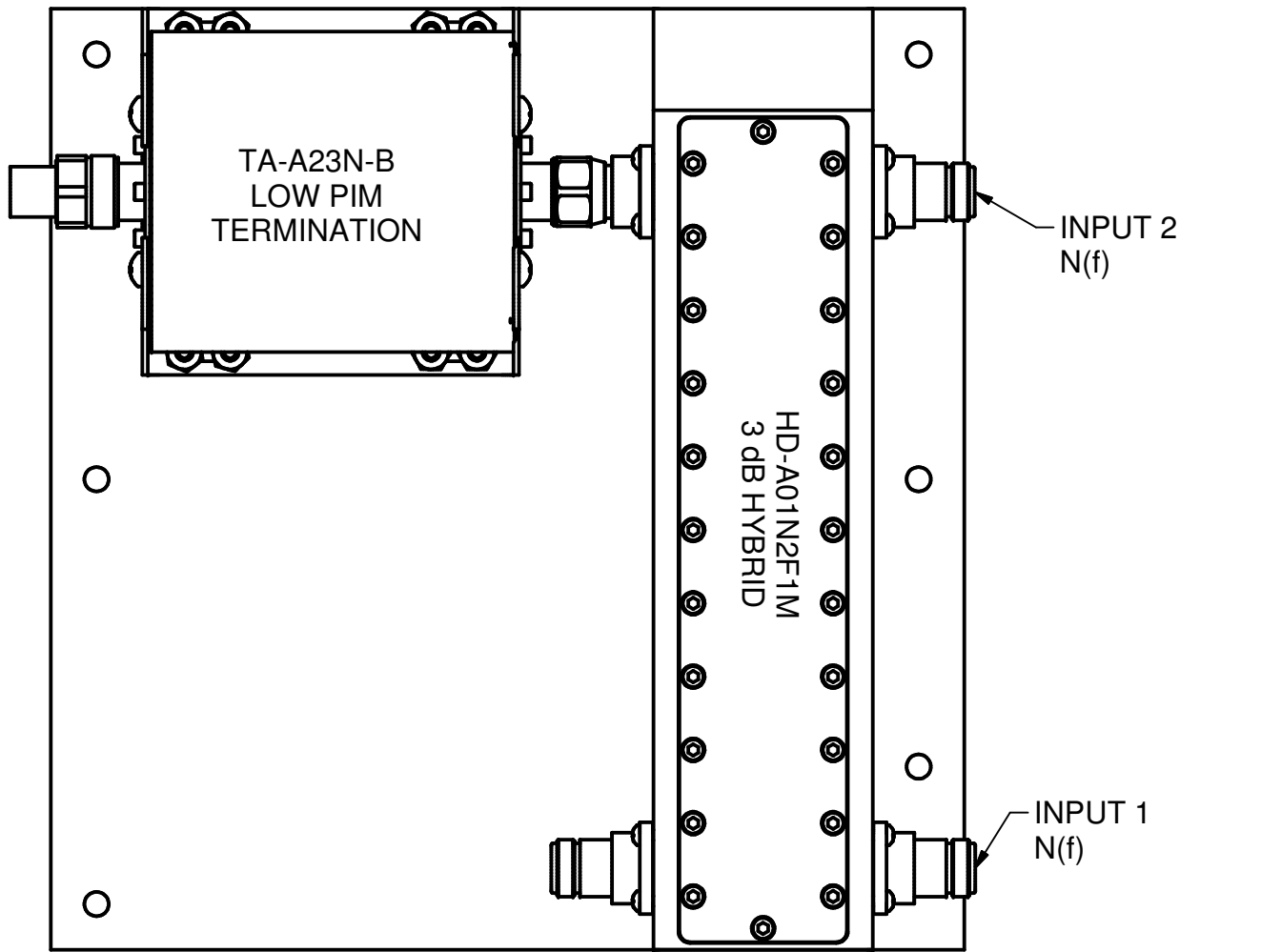
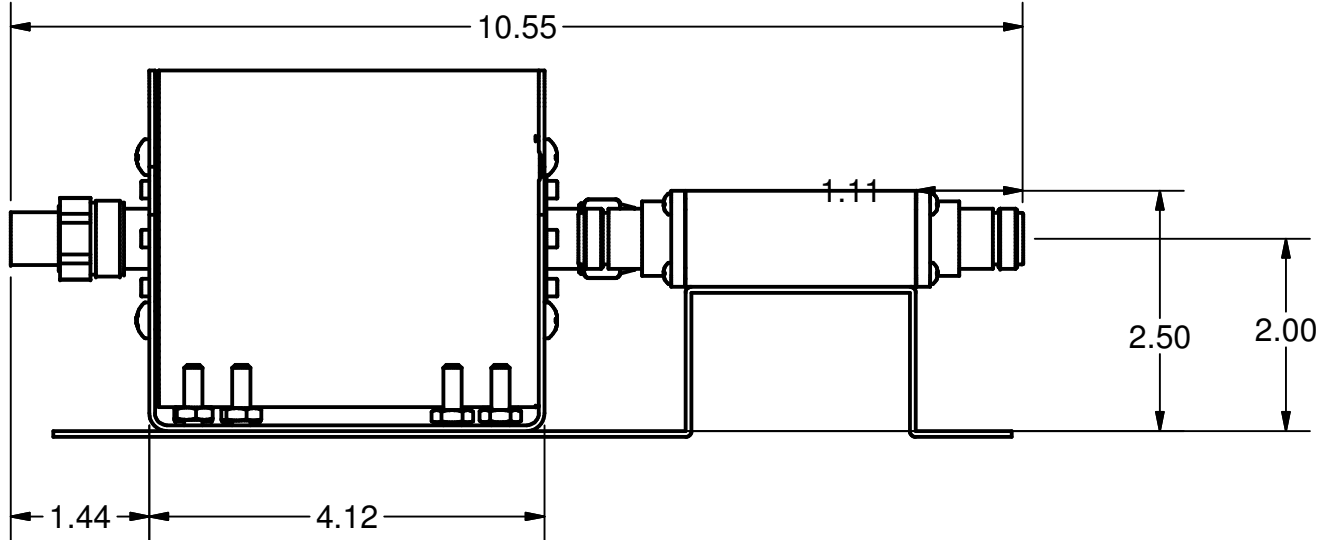
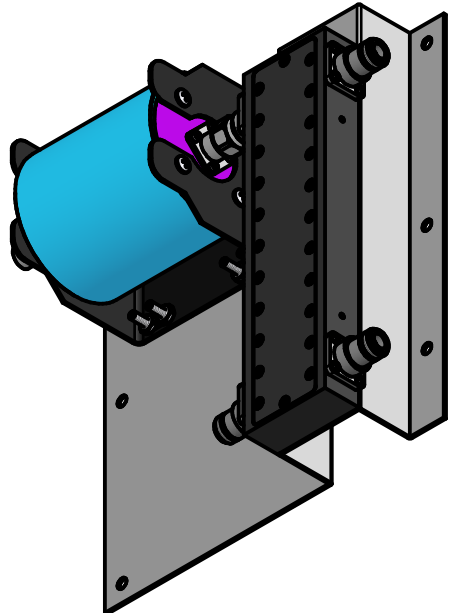


REVISION HISTORY				
ZONE	REV	DESCRIPTION	DATE	APPROVED
	1	ENGINEERING RELEASE	08-10-2012	Marek A




SPECIFICATION:

FREQUENCY: 470-512 MHz
 INSERTION LOSS: 3 dB NOMINAL
 INPUT RETURN LOSS: 20 dB MIN
 ISOLATION: 30 dB
 PIM: -155 dBc @1900 MHz



HOLE TOLERANCE: X.XX ±.03
 LENGTH TOLERANCE: X.XXX ±.03
 THREADS SPECIFICATION AFTER
 PLATING
 PROPERTY OF R&D MICROWAVES LLC

DRAWN mareka1	7/16/2012	 R&D Microwaves LLC, USA		
CHECKED			TITLE	
QA		LOW PIM 2X1 COMBINER, 470-512 MH		
MFG				
APPROVED		SIZE B	DWG NO HM-A28-B1rev1	REV 1
		SCALE	SHEET 1 OF 1	