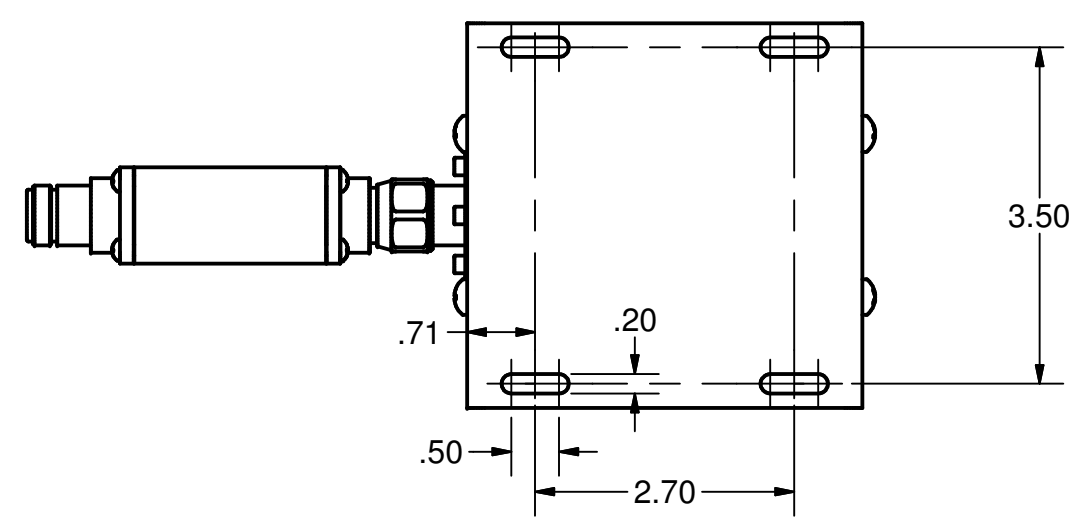
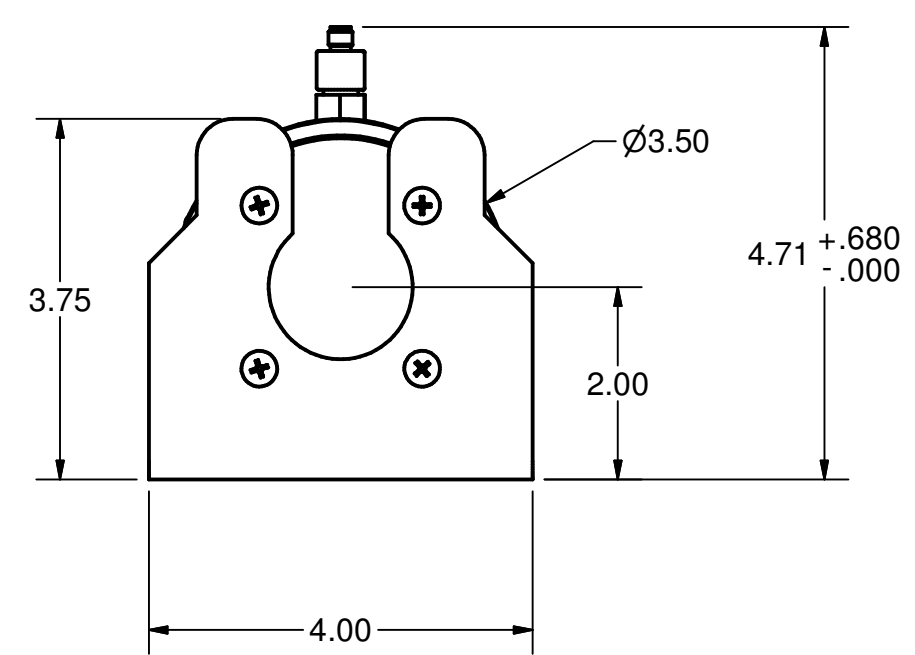
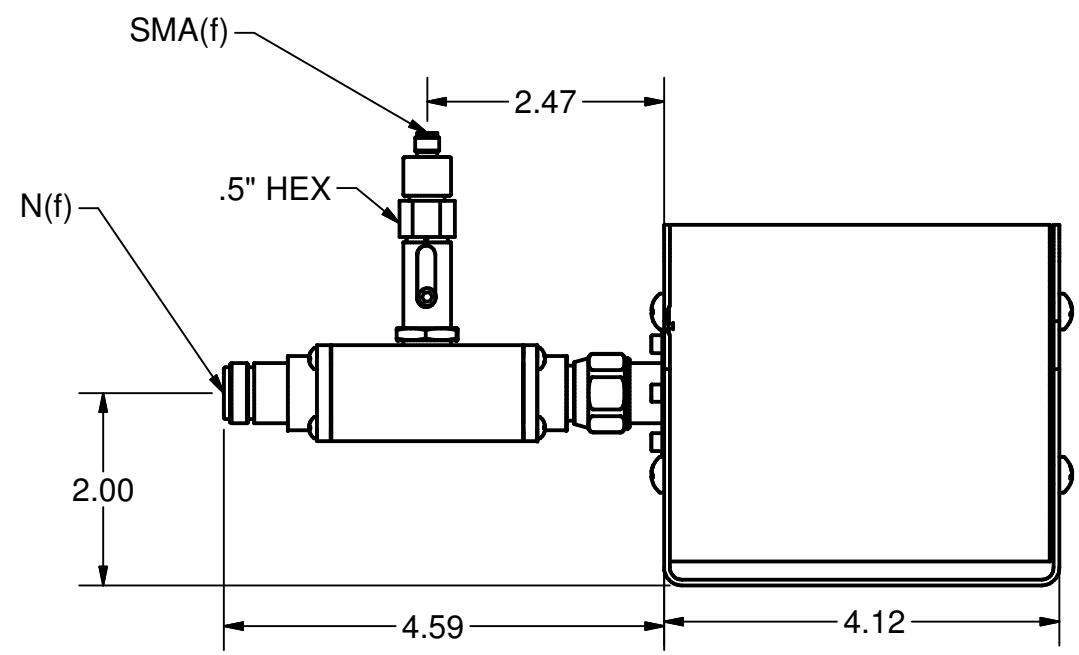



REVISION HISTORY				
ZONE	REV	DESCRIPTION	DATE	APPROVED
	1	ENGINEERING RELEASE	09-14-2011	Marek A



SPECIFICATION

FREQUENCY: 700-2700 MHz
 COUPLING: 20-50 dB ADJUSTABLE
 MAIN LINE VSWR: 20 dB MIN
 PIM: 160 dBc

DRAWN marekant	9/14/2011	 R&D Microwaves LLC, USA
CHECKED		
QA		TITLE
MFG		ASSEMBLY ADJUSTABLE MONITOR, CABLE LOAD
APPROVED		SIZE
		B
		DWG NO
		TA-A33NBrev1
		REV
		1
		SCALE
		SHEET 1 OF 1