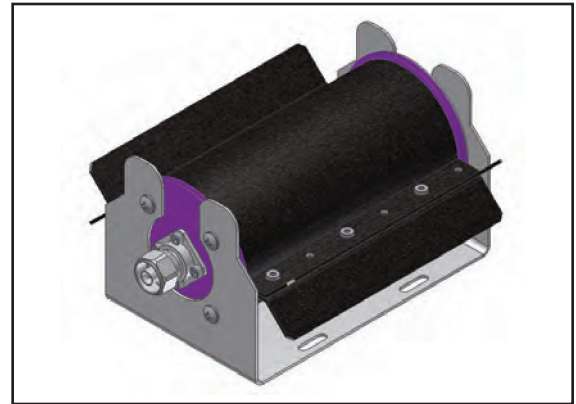
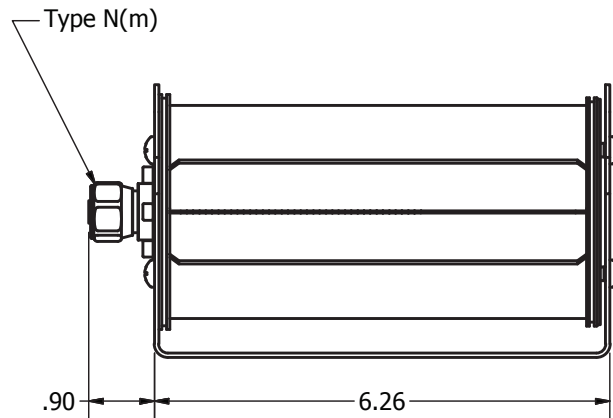
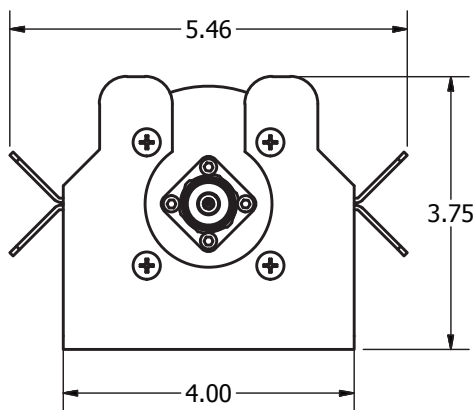


Model	TA-A75
Frequency Range:	400-6000 MHz
Input Power:	100 Watts Avg, 3 kW Peak
Passive Intermodulation:	> 160 dBc, 3rd Order 2x 43dBm/tone at Input port
Impedance:	50 Ω
Return Loss:	23 dB Min
Connectors:	Type N male
Temperature:	-40° C to +165° C



The TA-A75 was designed and manufactured as a low PIM high power cable termination for use as a termination on hybrids or couplers. It is intended for broad frequency coverage and excellent return loss with low PIM. One of the applications for this termination when connected to the mainline output of a directional coupler, is to use the coupled port of the coupler as a high power, low PIM, broadband flat attenuator.



- Multi-Band Range
- High Isolation, Low VSWR, and Low Loss
- Rugged, Flange Mount Connector with O-Ring
- RoHS Compliant

