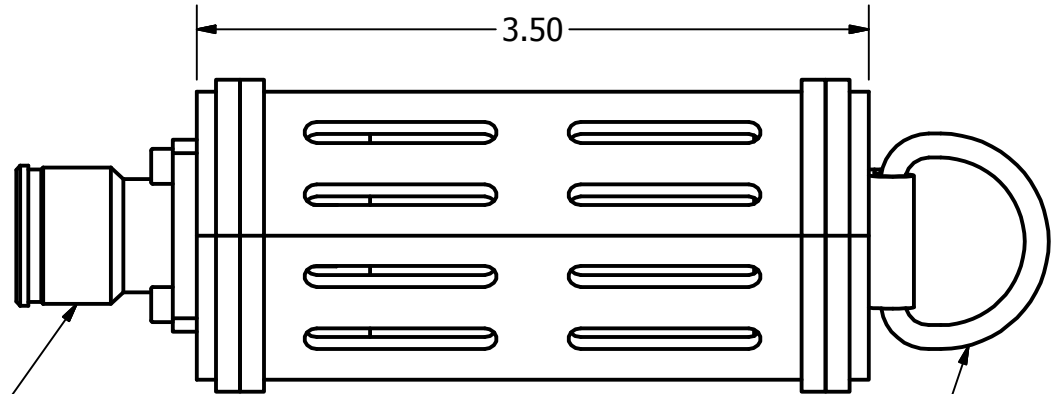
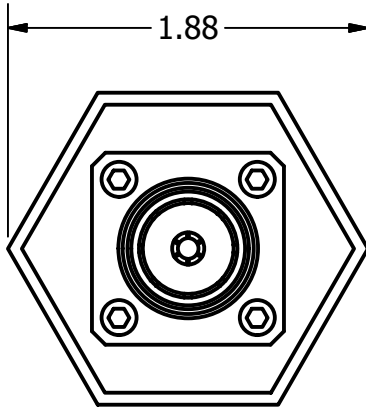


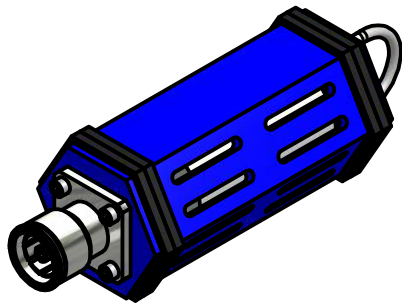
REVISION HISTORY				
ZONE	REV	DESCRIPTION	DATE	APPROVED
	1	PRELIMINARY	10/31/2017	DM
	2	REVISED SPECS	11/7/2017	DM
	3	ADDED POWER NOTE	12/22/2017	DM



4.3-10 (f)
SHOWN
(SEE CONNECTOR TABLE)

UNIT SUPPLIED
WITH LANYARD


POWER: 0 - 10 WATTS
 VSWR:
 270-400 MHz: 1.25:1 MAX
 400-1700 MHz: 1.18:1 MAX
 1700-2700 MHz: 1.25:1 MAX
 PIM: 160 dBc



VIEW A
SCALE 1 / 2

CONNECTOR	
(4.3-10)	(7-16 DIN)
TA-A82D43M	TA-A82DM
TA-A82D43F	TA-A82DF

PROPERTY OF R&D MICROWAVES LLC

DRAWN mclaughlind	10/31/2017	 R&D Microwaves LLC, USA
CHECKED TB	12/22/2017	
QA MdB	12/22/2017	TITLE
MFG		TA-A82, TERMINATION
APPROVED		SIZE A
		DWG NO TA-A82-OLrev3
		REV 3
		SCALE 1 : 1
		SHEET 1 OF 1