

# Unequal Dividers/taps

## UD-A01 Wideband Low Loss Power Tappers/Unequal Dividers/Signal Samplers

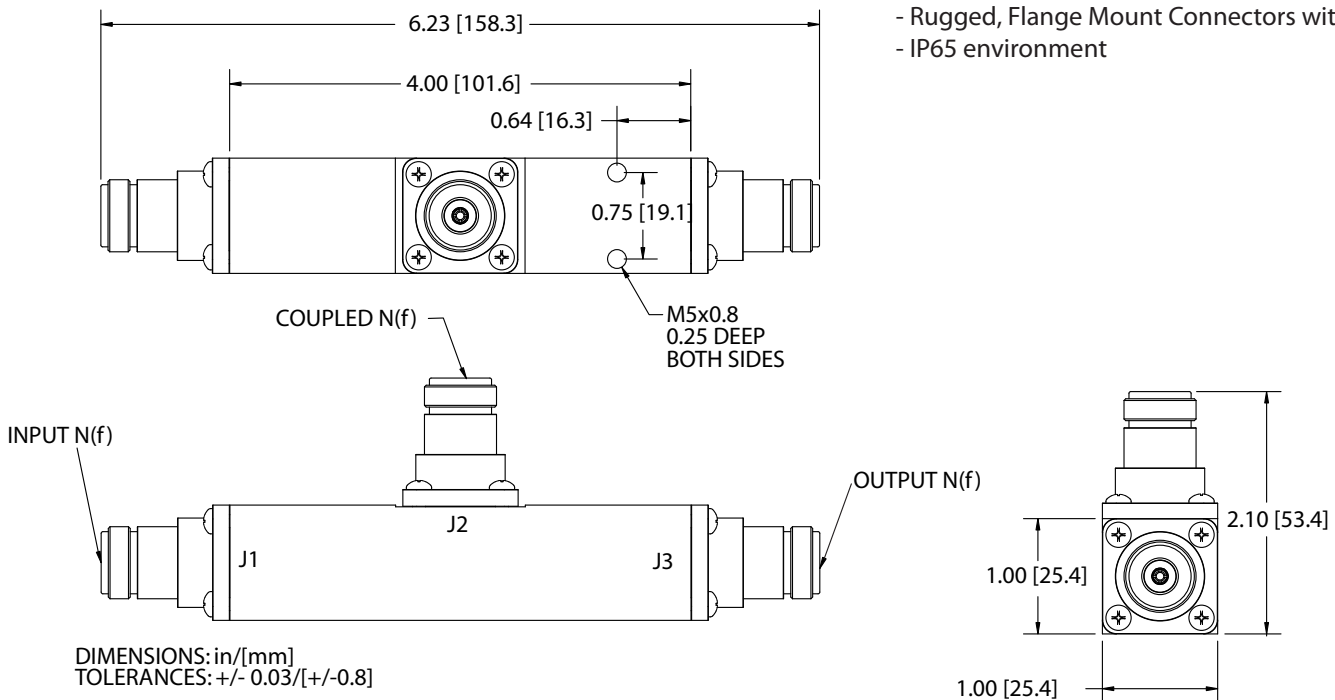
Model	UD-A01
Frequency range* (MHz)	100 - 800 MHz
Split Ratio J2/J3	1 : 99
Coupling J2 ref. to J1	20 dB Nominal
Transmission Insertion Loss J1 ↔ J3 total J1 ↔ J2	0.14 dB 20.0 dB
Coupling ( J1 ↔ J2)	20 dB ± 1 dB
Impedance	50 Ω
J1 or J3 VSWR Return Loss	<1.15 >23.1 dB
Intermodulation IM3 (2 x 43 dBm carrier)	150 dBc
Max. power	300 W Avg, 3KW Peak
Connectors	N female, flange with o-ring
Material: Housing Inner conductor & Conn	Aluminum Passivated Brass, Silver Plated
DC continuity J1 ↔ J3 J1 or J3 ↔ J2	RF and DC RF only
Profile cross-section	24.5 x 24.5 mm (1"x1")
Weight approx	0.34 kg (.75 lb)



R&D unequal power dividers use a novel, patented airline structure. The fixed split ratio is maintained over a 100 to 6000 MHz bandwidth with minimum ripple and insertion loss. DC is continuous through the main line, while the coupled ports is DC isolated from the main line and passes only RF power. The mechanical design has no solder joint and uses reliable, flange mount connectors with O-rings to achieve an IP65 environmental rating.

\* Main line VSWR usable to DC.

- Patented Airline Coaxial Structure
- Split ratios 1:3 to 1:1000 (6dB to 30dB)
- Wide Band, 100-6000 MHz operation
- Power, Low Loss and PIM
- Rugged, Flange Mount Connectors with O-ring
- IP65 environment



R&D Microwaves LLC, 301 Rockaway Valley Road, Boonton, NJ 07005 USA  
Tel. 908.212.1696 www.rdmicrowaves.com  
email: sales@rdmicrowaves.com

Rev 1.2  
07/09/14

