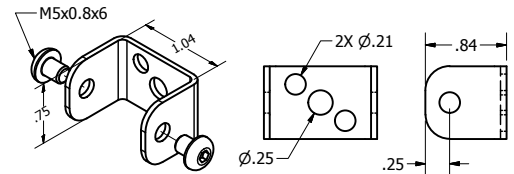
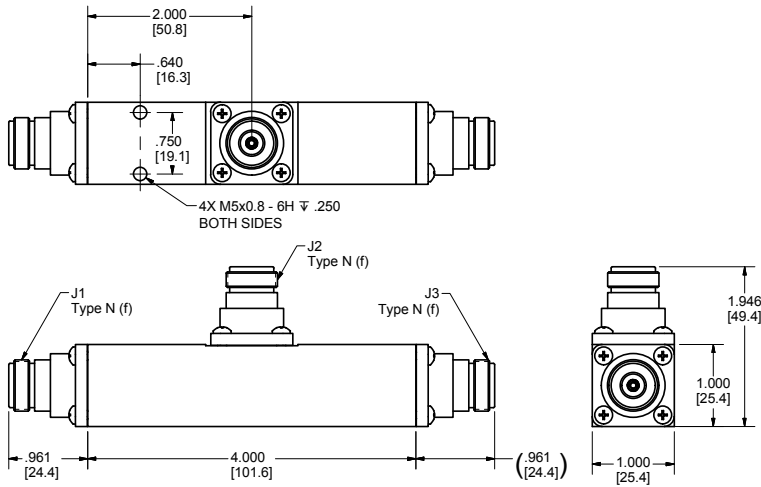


Made in USA

Common Specifications	
Frequency Range:	150 - 960 MHz
Coupling:	Bi-Directional, 1-2 & 3-2
Power:	200 Watts Min.
Ohmic/Dissipative Insertion Loss:	0.15 dB Max.
PIM:	>160 dBc
Input VSWR:	20 dB Min.
Calibration:	Coupling and Frequency on unit label at 150, 450, and 960 MHz
Connectors:	Type N (f)
Material and Finish:	Aluminum 6061 painted Black
Environmental:	IP68, Approved for outdoor use
Weight:	6 Oz
Mounting:	Tapped holes-Bracket and screws supplied



R&D Microwaves Unequal Power Dividers (re-active splitters) utilize a unique airline distributed capacitor construction that provides the lowest insertion loss, input VSWR, high power, and exceptional low PIM performance. The UD series are available in 1 dB coupling value increments up to 16 dB, with the highest values up to 30 dB, providing split ratios from 2:1 up to 1000:1. The units are provided with high torque connectors that are flange mounted to the housing chassis with O-rings for sealing for a robust and reliable connection. Mounting brackets and screws are supplied for easy wall mounting applications. All units achieve an IP68 environmental rating and are 100% tested to assure PIM spec compliance.



Bracket supplied, Part Number: BR-A10-500

Model	Coupling (dB)	split ratio J3:J2	J3/J2 to J1	Max. Total Thru Loss	Coupling Accuracy (dB)*			VSWR		
					150-450 MHz	450-850 MHz	850-960 MHz	150-450 MHz	450-850 MHz	850-960 MHz
UD-A09-5	5	2:1/3dB	1.75/4.8	1.8	10.5-6.1	6.1-5.1	5.1	20.7	37.5	23.2
UD-A09-6	6	3:1/4.8dB	1.26/6	1.41	8.5-6.9	6.9-6.5	6.5	19.8	19.5	23.0
UD-A09-7	7	4:1/6dB	1/7.0	1.12	9.3-7.5	7.5-7.2	7.2	21.5	21.6	28
UD-A09-8	8	5.3:1/7.25dB	0.75/8.0	0.9	10.2-8.5	8.5-8.2	8.2	23.4	23.2	23.8
UD-A09-10	10	9.0:1/9.5dB	0.46/10	0.61	11.7-10.2	10.2-10.0	10	26.2	25.1	25.4
UD-A09-20	20	100:1/20dB	0.1/20	0.19	20.5-20.3	20.3	20.3	40	39.4	40.4
UD-A09-30	30	1000:1/30dB	0.1/30.1	0.16	30-28	30-28	30-28	23.8	20.8	20.8

*Note: Actual Test data @ 150, 450, & 850 MHz is printed on the unit

